



DEPARTMENT OF REGULATORY AND ECONOMIC RESOURCES (RER)
 BOARD AND CODE ADMINISTRATION DIVISION
NOTICE OF ACCEPTANCE (NOA)

CGI Windows & Doors, Inc.
 3780 W. 104th Street
 Hialeah, FL 33018

SCOPE:

This NOA is being issued under the applicable rules and regulations governing the use of construction materials. The documentation submitted has been reviewed and accepted by Miami-Dade County RER -Product Control Section to be used in Miami Dade County and other areas where allowed by the Authority Having Jurisdiction (AHJ).

This NOA shall not be valid after the expiration date stated below. The Miami-Dade County Product Control Section (In Miami Dade County) and/or the AHJ (in areas other than Miami Dade County) reserve the right to have this product or material tested for quality assurance purposes. If this product or material fails to perform in the accepted manner, the manufacturer will incur the expense of such testing and the AHJ may immediately revoke, modify, or suspend the use of such product or material within their jurisdiction. RER reserves the right to revoke this acceptance, if it is determined by Miami-Dade County Product Control Section that this product or material fails to meet the requirements of the applicable building code.

This product is approved as described herein and has been designed to comply with the Florida Building Code, including the High Velocity Hurricane Zone.

DESCRIPTION: Series "Sentinel 165 Balcony Breeze" Single Outswing Aluminum door w/ SHW – LMI

APPROVAL DOCUMENT: Drawing No. 165-FD-OS-NOA Rev A (former 18-25D Rev A), titled "Series Sentinel 165 Balcony Breeze Aluminum Outswing Door", sheets 1 through 10 of 10, prepared by manufacturer, dated July 14, 2020, signed and sealed by Lynn A. Miller, P.E., bearing the Miami-Dade County Product Control Revision stamp with the Notice of Acceptance number and expiration date by the Miami-Dade County Product Control Section.

MISSILE IMPACT RATING: Large and Small Missile Impact

Limitations:

1. See sheets 2 for Design Pressure ratings, max. DLO (day light opening) and Threshold types. See sheet 7 for the door and the SHW (Single Hung Window) glazing options and limitations.
2. ADA saddle threshold (item #E-24) **not** rated for water infiltration, unless protected by FBC compliant overhang.
3. The latch lock (item #M-20& #M-22) and 3-point CGI lock mechanism w/ dead bolts (item #M-21 & M-23) are integral part of each door w/SHW. Also, the SHW is integral part of the single Door.
4. The Exterior lite of insulated laminated SHW using glazing option **F**, must be tempered, when used above 30' above the grade (Small Missile Impact area).

LABELING: Each unit shall bear a permanent label with the manufacturer's name or logo, city, state and series and following statement: "Miami-Dade County Product Control Approved", noted herein.

RENEWAL of this NOA shall be considered after a renewal application has been filed and there has been no change in the applicable building code negatively affecting the performance of this product.

TERMINATION of this NOA will occur after the expiration date or if there has been a revision or change in the materials, use, and/or manufacture of the product or process. Misuse of this NOA as an endorsement of any product, for sales, advertising or any other purposes shall automatically terminate this NOA. Failure to comply with any section of this NOA shall be cause for termination and removal of NOA.

ADVERTISEMENT: The NOA number preceded by the words Miami-Dade County, Florida, and followed by the expiration date may be displayed in advertising literature. If any portion of the NOA is displayed, then it shall be done in its entirety.

INSPECTION: A copy of this entire NOA shall be provided to the user by the manufacturer or its distributors and shall be available for inspection at the job site at the request of the Building Official.

This NOA **renews** NOA #20-0722.14 consists of this page 1 and evidence pages E-1, E-2, E-3, E-4 & E-5, as well as approval document mentioned above.

The submitted documentation was reviewed by **Ishaq I. Chanda, P.E.**



5/21/21

NOTICE OF ACCEPTANCE: EVIDENCE SUBMITTED

1. Evidence submitted under previous approvals

A. DRAWINGS

1. Manufacturer's die drawings and sections.
2. Drawing No. **AD16-05**, titled "Series Sentinel 165 Balcony Breeze Aluminum Outswing Door", sheets 1 through 13 of 13, prepared by MCY Engineering, Inc., dated JUL 05, 2016, signed and sealed by Yiping Wang, P.E.

B. TESTS

1. Test reports on:
 - 1) Air Infiltration Test, per FBC, TAS 202-94
 - 2) Uniform Static Air Pressure Test, Loading per FBC TAS 202-94
 - 3) Water Resistance Test, per FBC, TAS 202-94
 - 4) Large Missile Impact Test per FBC, TAS 201-94
 - 5) Cyclic Wind Pressure Loading per FBC, TAS 203-94
 - 6) Forced Entry Test, per FBC 2411 3.2.1, TAS 202-94.

Along with manufacturer's parts and section drawing marked-up drawings of single aluminum outswing door w/ SHW, prepared by Certified Testing Laboratories, Inc., Test Report No. **CTL 3076W**, dated 12/21/15 for specimen #1, 2, & 3, signed and sealed by Ramesh Patel, P.E.

Along with manufacturer's parts and section drawing marked-up drawings of single aluminum Inswing door w/ SHW, prepared by Certified Testing Laboratories, Inc., Test Report No. **CTL 3076W-1**, dated 12/20/15 for specimen #4, 5, & 6, signed and sealed by Ramesh Patel, P.E.

(Note: The above test reports have been revised by an addendum letter issued by Certified Testing lab dated June 27, 2016, signed and sealed by Ramesh Patel, P.E.)

2. REF test report HTL 0080-912-97 per SFBC PA 202, 201/203-94.

C. CALCULATIONS

1. Anchor verification calculations and structural analysis, complying with FBC-2014(5th Edition), prepared by MCY Engineering, Inc., dated MAR 18, 2016, signed and sealed by Yiping Wang, P.E.
2. Glazing complies w/ ASTM E-1300-02, -04 & -09.

D. QUALITY ASSURANCE

1. Miami Dade Department of Regulatory and Economic Resources (RER).

E. MATERIAL CERTIFICATIONS

1. Notice of Acceptance No. **14-0916.11** issued to Kuraray America, Inc. (former E.I. DuPont DeNemours & Co., Inc.) for the "**Sentry Glass @ Interlayer**", expiring on 07/4/17.
2. Notice of Acceptance No. **14-0916.10** issued to Kuraray America, Inc. (former E.I. DuPont DeNemours & Co., Inc.) for "**Kuraray Butacite PVB Interlayer**", expiring on 12/11/16.
3. Notice of Acceptance No. **14-0423.15** issued to Eastman Chemical Company (MA) (Former Solutia, Inc.) for the "**Saflex CP - Saflex and Saflex HP Composite Glass Interlayers w/ PET Core**", expiring on 12/11/18.

Ishaq I. Chanda

Ishaq I. Chanda, P.E.
Product Control Unit Supervisor
NOA No 21-0510.04
Expiration Date: July 28, 2026
Approval Date: June 03, 2021

NOTICE OF ACCEPTANCE: EVIDENCE SUBMITTED

F. STATEMENTS

1. Statement letter of conformance to FBC 2014(5th Edition) and letter of no financial interest, prepared by MCY Engineering, Inc., dated MAR 14, 2016, signed and sealed by Yiping Wang, P.E.
2. Lab compliance and addendum letters, as part of the above referenced test reports.

G. OTHER

1. Test proposal dated 03/21/15 approved by RER.

2. Evidence submitted under previous approval.

A. DRAWINGS

1. Drawing No.18-26D Rev A, titled "Series Sentinel 165 Balcony Breeze Aluminum Inswing Door", sheets 1 through 15 of 15, prepared by AL-Farooq Corporation, dated 01/23/18 and last revised on MAY 02, 2018, signed and sealed by Javad Ahmad, P.E.

B. TESTS

1. Test reports on:
 - 1) Air Infiltration Test, per FBC, TAS 202-94
 - 2) Uniform Static Air Pressure Test, Loading per FBC TAS 202-94
 - 3) Water Resistance Test, per FBC, TAS 202-94 (Std Threshold # E-6)
 - 4) Large Missile Impact Test per FBC, TAS 201-94
 - 5) Cyclic Wind Pressure Loading per FBC, TAS 203-94
 - 6) Forced Entry Test, per FBC 2411 3.2.1, TAS 202-94.

Along with manufacturer's parts and section drawing marked-up drawings of aluminum Out/In swing door w/sidelites, by Hurricane Testing Laboratory, Inc., Test Report No. **HTL-0080-0304-11** dated 08/03/2011 for specimens #1, 4, 7 & 8 (outswing) and specimens # 2, 5, 9 12 & 15 (Inswing), tested per TAS 201, 202 & 203-94, signed and sealed by Vinu Abraham, P.E.

Along with manufacturer's parts and section drawing marked-up drawings of aluminum In/out swing door w/sidelites, by Hurricane Testing Laboratory, Inc., Test Report No. **HTL-97055 (0080-912-97)** dated 09/23/97 thru 02/27/98 for specimen #1, 2, 3, 4 tested per PA202-94, specimen #4, 5A, 5B, 5C tested per PA201-94 & PA203-94, signed and sealed by Timothy S. Marshall, P.E. (submitted under file # **09-0723.04**: Original tests conducted per SFBC, PA 201, 202 & 203-94 now known as FBC, TAS 201, 202 & 203-94)

C. CALCULATIONS

1. Anchor verification calculations and structural analysis, complying with **FBC 2017 (6th Edition)**, prepared by Al-Farooq Corporation, dated 02/28/18, signed and sealed by Javad Ahmad, P. E.

D. QUALITY ASSURANCE

1. Miami Dade Department of Regulatory and Economic Resources (RER).

Ishaq I. Chanda

Ishaq I. Chanda, P.E.
Product Control Unit Supervisor
NOA No 21-0510.04
Expiration Date: July 28, 2026
Approval Date: June 03, 2021

NOTICE OF ACCEPTANCE: EVIDENCE SUBMITTED

E. MATERIAL CERTIFICATIONS

1. Notice of Acceptance No. **17-0808.02** issued to Kuraray America, Inc. (former E.I. DuPont DE Nemours & Co., Inc.) for the “**Sentry Glass ® Interlayer**”, expiring on 07/4/23

F. STATEMENTS

1. Statement letter of conformance to **FBC 6th Edition (2017)** and of no financial interest, prepared by Al Farooq Corporation, dated 03/05/18, signed and sealed by Javad Ahmad, P.E.
2. Statement letter dated May 01, 2018, issued by Al-Farooq Corporation of “Adoption of another Engineer’s work” per FLA chapter 61G15-27, signed by Javad Ahmad, P.E.

G. OTHER

1. This NOA revises **NOA # 16-0329.1**, expiring 07/28/21.

3. Evidence submitted under previous submittal

A. DRAWINGS

1. Drawing No. **165-FD-OS-NOA Rev A** (former **18-25D Rev A**), titled “Series Sentinel 165 Balcony Breeze Aluminum Outswing Door”, sheets 1 through 10 of 10, prepared by manufacturer, dated July 14, 2020, signed and sealed by Lynn A. Miller, P.E.

B. TESTS

1. Test reports on:
 - 1) Air Infiltration Test, per FBC, TAS 202-94
 - 2) Uniform Static Air Pressure Test, Loading per FBC, TAS 202-94
 - 3) Water Resistance Test, per FBC, TAS 202-94
 - 4) Large Missile Impact Test per FBC, TAS 201-94
 - 5) Cyclic Wind Pressure Loading per FBC, TAS 203-94


along with marked-up drawings and installation diagram of all CGI Windows and Doors, Inc. and PGT Industries, Inc., representative units listed below and tested to qualify **Dowsil 791** and **Dowsil 983** silicones, per Proposal **#19-1155TP**, prepared by Fenestration Testing Laboratory, Inc., Test Reports No.:

CGI Windows and Doors Inc. test specimens:

FTL-20-2108.1, CGI SH360 Aluminum Single Hung Window (unit 1 in proposal) **FTL-20-2108.2**, CGI CA238 Alum. Outswing Casement Window (unit 2 in proposal) **FTL-20-2108.3**, CGI SGD560 Aluminum Sliding Glass Door (unit 3 in proposal) **FTL-20-2108.4**, CGI PW410 Aluminum Fixed Window (unit 4 in proposal) and **FTL-20-2108.5**, CGI SH360 Aluminum Single Hung Window (unit 5 in proposal) all dated 08/24/20 and signed and sealed by Idalmis Ortega, P.E.

PGT Industries, Inc. test specimens:

FTL-7897, PGT PW5520 PVC Fixed Window (unit 6 in proposal), dated 09/03/14
FTL-20-2107.1, PGT SGD780 Aluminum Sliding Glass Door (unit 7 in proposal) **FTL-20-2107.2**, PGT CA740 Alum. Outswing Casement Window (unit 8 in proposal) **FTL-20-2107.3**, PGT PW7620A Aluminum Fixed Window (unit 9 in proposal) and **FTL-20-2107.4**, PGT PW7620A Aluminum Fixed Window (unit 10 in proposal) all dated 07/13/20 and signed and sealed by Idalmis Ortega, P.E.


Ishaq I. Chanda, P.E.
Product Control Unit Supervisor
NOA No 21-0510.04
Expiration Date: July 28, 2026
Approval Date: June 03, 2021

NOTICE OF ACCEPTANCE: EVIDENCE SUBMITTED

C. CALCULATIONS

1. Anchor verification calculations and structural analysis, complying with **FBC 2020, 7th Edition**, prepared by manufacturer, dated 07/14/20, signed and sealed by A. Lynn Miller, P. E.
2. Glazing complies with ASTM E1300-04, -09, -12 and -16.

D. QUALITY ASSURANCE

1. Miami Dade Department of Regulatory and Economic Resources (RER).

E. MATERIAL CERTIFICATIONS

1. Notice of Acceptance No. **17-0808.02** issued to Kuraray America, Inc. (former E.I. DuPont DE Nemours & Co., Inc.) for the "**Sentry Glass ® Interlayer**", expiring on 07/4/23.
2. Notice of Acceptance No. **19-0305.02** issued to **Kuraray America, Inc.** (Former E.I. DuPont DE Nemours & Co., Inc. for the "Kuraray Trofossil Ultra clear and color PVB Interlayer (Former Kuraray **Butacite ® PVB interlayer**)", expiring on 07/08/24.
3. Notice of Acceptance No. **18-0301.06** issued to Eastman Chemical Company (MA) (Former Solutia, Inc.) for the "**Saflex CP - Saflex and Saflex HP Composite Glass Interlayers w/ PET Core**", expiring on 12/11/23.

F. STATEMENTS

1. Statement letter of conformance to FBC 2020 (7th Edition), issued by manufacturer, dated 07/14/20, signed and sealed by Lynn Miller, P. E.
2. Notification of Successor Engineer per the Florida Administrative Code Section 61G15-27.001, notifying original engineer that the successor engineer is assuming full professional and legal responsibility for all engineering documents pertaining to this NOA, dated 06/12/20, signed and sealed by A. Lynn Miller, P.E.

G. OTHER

1. This NOA **revises 17-0227.11** and updates to FBC 2020, expiring 07/08/25.

4. New Evidence submitted

A. DRAWINGS

1. Drawing No. **165-FD-OS-NOA Rev A** (former **18-25D Rev A**), titled "Series Sentinel 165 Balcony Breeze Aluminum Outswing Door", sheets 1 through 10 of 10, prepared by manufacturer, dated July 14, 2020, signed and sealed by Lynn A. Miller, P.E.

B. TESTS

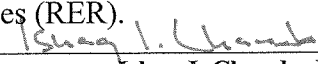
1. None.

C. CALCULATIONS

1. None.

D. QUALITY ASSURANCE

1. Miami Dade Department of Regulatory and Economic Resources (RER).


Ishaq I. Chanda, P.E.
Product Control Unit Supervisor
NOA No 21-0510.04
Expiration Date: July 28, 2026
Approval Date: June 03, 2021

NOTICE OF ACCEPTANCE: EVIDENCE SUBMITTED

E. MATERIAL CERTIFICATIONS

1. Notice of Acceptance No. **17-0808.02** issued to Kuraray America, Inc. (former E.I. DuPont DE Nemours & Co., Inc.) for the “**Sentry Glass ® Interlayer**”, expiring on 07/4/23.
2. Notice of Acceptance No. **19-0305.02** issued to **Kuraray America, Inc.** (Former E.I. DuPont DE Nemours & Co., Inc. for the “Kuraray Trofossil Ultra clear and color PVB Interlayer (Former Kuraray **Butacite ® PVB interlayer**)”, expiring on 07/08/24.
3. Notice of Acceptance No. **18-0301.06** issued to Eastman Chemical Company (MA) (Former Solutia, Inc.) for the “**Saflex CP - Saflex and Saflex HP Composite Glass Interlayers w/ PET Core**”, expiring on 12/11/23.

F. STATEMENTS (submitted under file #20-0722.14)

1. Statement letter of conformance to FBC 2020 (7th Edition), issued by manufacturer, dated 07/14/20, signed and sealed by Lynn Miller, P. E.

G. OTHER

1. This NOA **renews #20-0722.14**, expiring 07/28/26.

Ishaq I. Chanda
Ishaq I. Chanda, P.E.
Product Control Unit Supervisor
NOA No 21-0510.04
Expiration Date: July 28, 2026
Approval Date: June 03, 2021

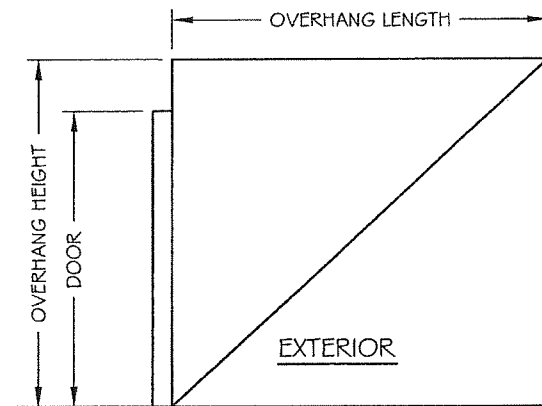
SENTINEL 165, "BALCONY BREEZE" OUTSWING DOOR ALUMINUM, IMPACT RESISTANT

GENERAL NOTES:

- THIS PRODUCT HAS BEEN DESIGNED AND TESTED TO COMPLY WITH THE REQUIREMENTS OF THE 6TH AND 7TH EDITION FLORIDA BUILDING CODES (2017 / 2020) INCLUDING THE HIGH VELOCITY HURRICANE ZONE (HVHZ).
- PRODUCT IS RATED FOR LARGE MISSILE IMPACT AND SMALL MISSILE IMPACT. MIAMI-DADE COUNTY APPROVED HURRICANE PROTECTION SYSTEMS (SHUTTERS) ARE NOT REQUIRED.
- ANCHORS SHALL BE AS LISTED, SPACED AS SHOWN ON DETAILS. ANCHORS EMBEDMENT TO BASE MATERIAL SHALL BE BEYOND WALL DRESSING OR STUCCO.
- ANCHORING OR LOADING CONDITIONS NOT SHOWN IN THESE DETAILS ARE NOT PART OF THIS APPROVAL.
- MATERIALS INCLUDING BUT NOT LIMITED TO STEEL / METAL SCREWS THAT COME INTO CONTACT WITH OTHER DISSIMILAR MATERIALS SHALL MEET THE REQUIREMENTS OF THE 2017 / 2020 FLORIDA BUILDING CODE AND ADOPTED STANDARDS.
- METAL STRUCTURES NOT BY CGI WINDOWS AND DOORS, INC. TO BE DESIGNED TO SUPPORT THE LOADS IMPOSED BY THIS GLAZING SYSTEM AND TO TRANSFER SUCH LOADS TO THE BUILDING STRUCTURAL MEMBERS, TO BE REVIEWED BY BUILDING OFFICIAL.
- THE DESIGN LOADS SHOWN IN THIS DOCUMENT ARE ALLOWABLE DESIGN LOADS. ULTIMATE LOAD OBTAINED FROM ASCE 7-10, MULTIPLY BY 0.6 SHALL BE LESS THAN OR EQUAL TO MAX. DESIGN LOAD IN THIS DOCUMENT.
- DOORS ARE APPROVED FOR AIR AND WATER INFILTRATION (EXCEPT ADA THRESHOLD, SEE NOTE BELOW FOR OVERHANG REQUIREMENTS).

OVERHANG REQUIREMENT:

ADA THRESHOLD IS NOT APPROVED IN AREAS WHERE WATER INFILTRATION REQUIREMENT IS NEEDED. IT COULD BE INSTALLED AT LOCATIONS PROTECTED BY AN OVERHANG MEETING THE CRITERIA IN ILLUSTRATION BELOW OR IN NON-HABITABLE AREAS WHERE WATER INFILTRATION IS ACCEPTED, PER FBC REQUIREMENTS.



$$\text{OH RATIO} = \frac{\text{OVERHANG LENGTH}}{\text{OVERHANG HEIGHT}} \geq 1$$

TYPICAL ANCHORS: (SEE ELEVATIONS, SHEET 2, FOR SPACING)

1/4" DIA. ULTRACON BY 'ELCO' (Fu= 177 KSI, Fy= 155 KSI)

INTO 2BY WOOD BUCKS OR WOOD STRUCTURES
1-1/2" MIN. PENETRATION INTO WOOD (HEAD, SILL OR JAMB)

THRU 1 BY WOOD BUCKS OR DIRECTLY INTO MASONRY OR CONCRETE
1-1/4" MIN. EMBED INTO CONCRETE, FILLED BLOCK OR HOLLOW BLOCK

1/4" DIA. ULTRACON+ BY 'DEWALT' (FU= 164 KSI, FY= 148 KSI)

INTO 2BY WOOD BUCKS OR WOOD STRUCTURES
1-3/8" MIN. PENETRATION INTO WOOD (HEAD, SILL OR JAMB)

THRU 1 BY WOOD BUCKS OR DIRECTLY INTO MASONRY OR CONCRETE
1-1/4" MIN. EMBED INTO CONCRETE, FILLED BLOCK OR HOLLOW BLOCK

#14 SMS OR SELF DRILLING SCREWS (GRADE 2 CRS)

INTO 2BY WOOD BUCKS OR WOOD STRUCTURES
1-1/2" MIN. PENETRATION INTO WOOD (HEAD, SILL OR JAMB)

INTO MIAMI-DADE COUNTY APPROVED MULLIONS INTO METAL STRUCTURE.
STEEL : 12 GA. MIN. (Fy = 36 KSI MIN.)
ALUMINUM : 1/8" THK. MIN. (G0G3-T5 MIN.)
STEEL IN CONTACT WITH ALUMINUM TO BE PLATED OR PAINTED)

TYPICAL EDGE DISTANCE

INTO CONCRETE AND MASONRY = 2-1/2" MIN.
INTO WOOD STRUCTURE = 1" MIN.
INTO METAL STRUCTURE = 3/4" MIN.

CONCRETE f_c = 3000 PSI MIN.
C-90 HOLLOW/FILLED BLOCK f_m = 2000 PSI MIN.

SEALANTS:

ALL FRAME CORNERS, JOINTS, MULLION SEAMS AND PERIMETER GLAZING BEAD TO FRAME INSTALLATION FASTENERS SEALED WITH SILICON SEALANT.

WOOD BUCKS:

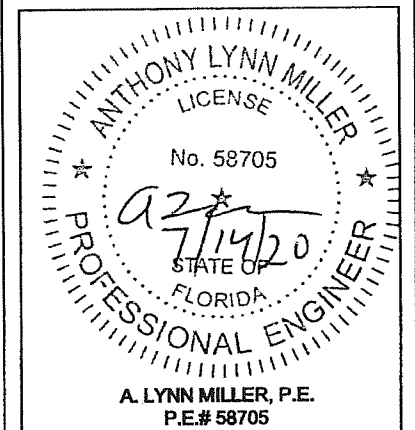
1X OR 2X WOOD BUCKS NOT BY CGI WINDOWS AND DOORS, INC. MUST BE PROPERLY SECURED TO SUSTAIN LOADS IMPOSED BY GLAZING SYSTEM AND TRANSFER THEM TO THE BUILDING STRUCTURE.

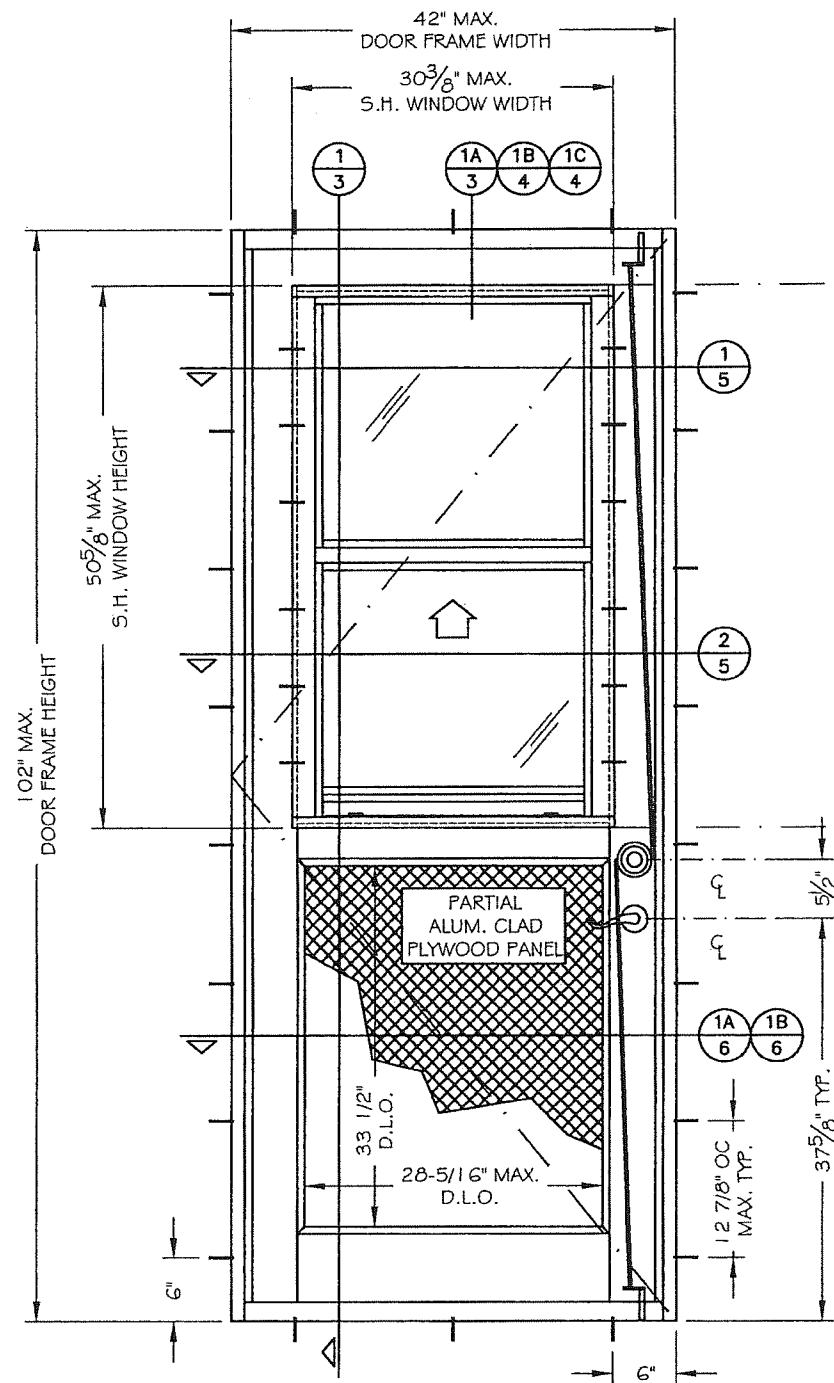
PRODUCT RENEWED
as complying with the Florida
Building Code
Acceptance No. 21-0510-04
Expiration Date July 28, 2024
By Ishag I. Chande
Miami-Dade Product Control

PRODUCT REVISED
as complying with the Florida
Building Code
NOA-No. 20-0722.14
Expiration Date 07/28/2021
By Ishag I. Chande
Miami-Dade Product Control

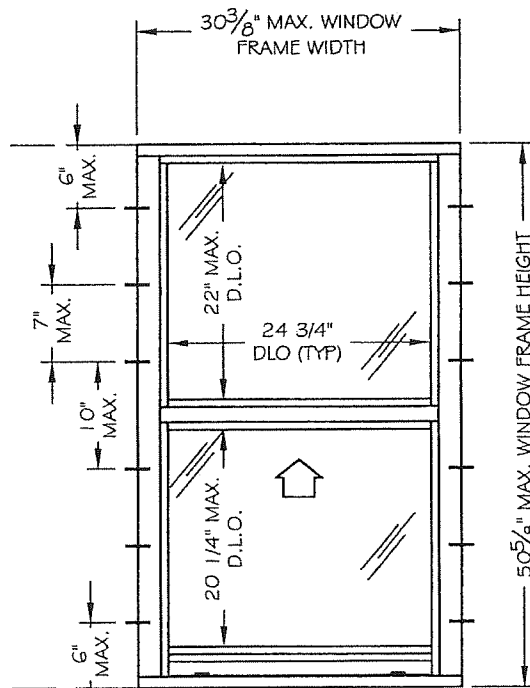
Revision:
REVISED FOR 2020 FBC,
ADDED GEN. NOTES,
ANCHOR TYPE,
BACKBEDDING TYPES &
REFORMATTED - JR - 6/26/20

PREPARED BY A. LYNN MILLER 1070 TECHNOLOGY DRIVE N. VENICE, FL 34275 (941) 480-1600	REGISTRATION #29296	Date	06/26/2020
	By	J ROSOWSKI	165FD-OS-NOA A
Impact Resistant Windows & Doors WE'RE STRONGER™ CGI WINDOWS AND DOORS, INC. 3780 W 104TH STREET HIALEAH, FL 33018 (305) 593-6590	FD165 "BALCONY BREEZE", OUTSWING DOOR (LM)	Scale	NTS
		Sheet	1 OF 10
GENERAL NOTES	SERIES	SENTINEL FD165	





TYPICAL DOOR ELEVATION WITH INSTALLATION OF S.H. WINDOW AT DOOR UPPER SECTION



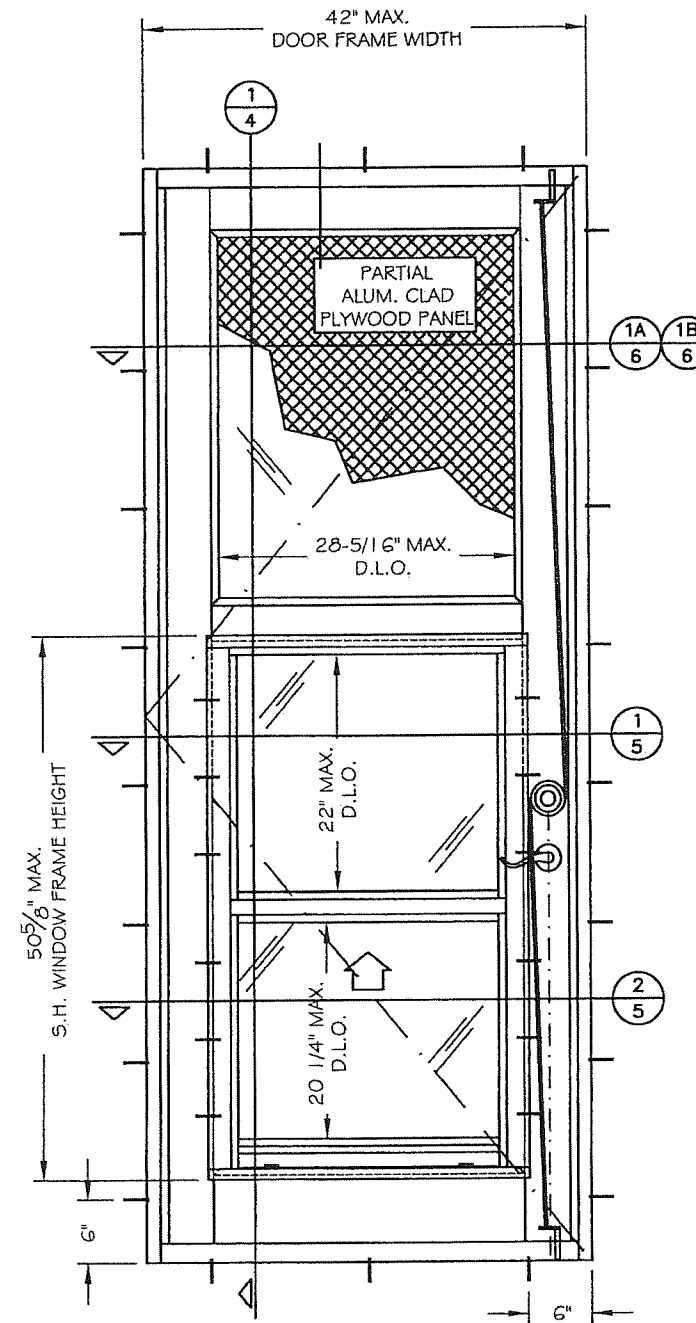
TYPICAL S.H. WINDOW ELEVATION AND INSTALLATION SCREW PATTERN

(SHW IS AN INTEGRAL PART OF THIS DOOR APPROVAL)

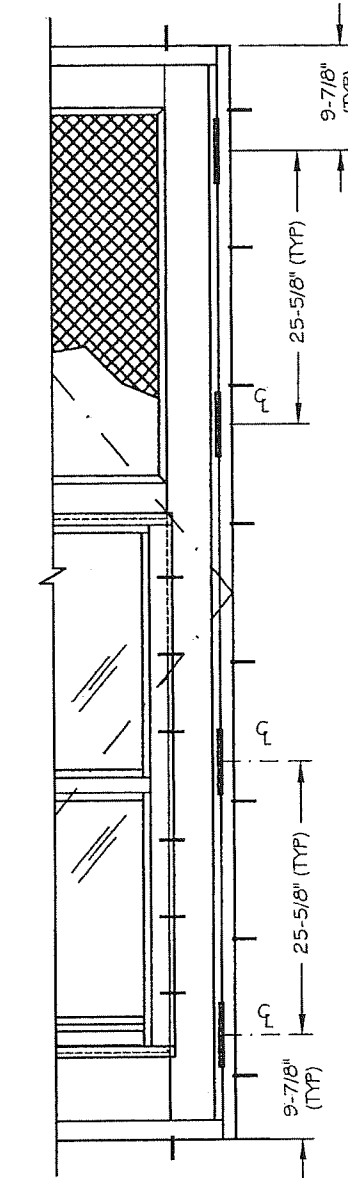
PRODUCT REVISED
as complying with the Florida Building Code
NOA-No. 20-0722.14

Expiration Date **07/28/2021**

By *Ishtag I. Chanda*
Miami-Dade Product Control



TYPICAL DOOR ELEVATION WITH INSTALLATION OF S.H. WINDOW AT DOOR LOWER SECTION



PARTIAL DOOR ELEVATION TO SHOW HINGE LOCATION

ALLOWABLE DESIGN LOAD		
WITH STD. THRESHOLD (ITEM E6)	WITH ADA THRESHOLD (ITEM E24)	
+90 - 110 PSF	NOT APPROVED WHERE WATER INFILTRATION IS NEEDED	+90 - 105 PSF WHERE WATER INFILTRATION IS NOT NEEDED
SEE OVERHANG REQUIREMENT (SHEET #1)		

WEEP HOLES

a) WINDOW

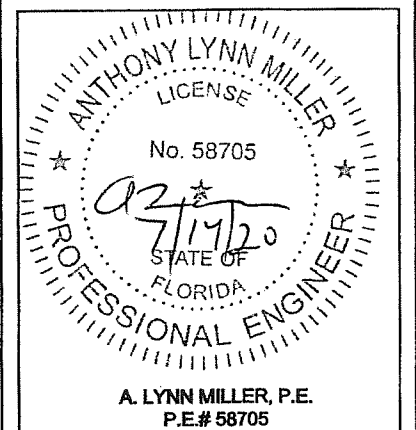
W1: 1/4 x 1-1/4" LONG WEEP SLOT, 6" FROM EACH END

W2: 1/2" LONG NOTCH, EACH END

PRODUCT RENEWED
as complying with the Florida Building Code
Acceptance No. 21-0510.04
Expiration Date 7/28/26
By *Ishtag I. Chanda*
Miami Dade Product Control

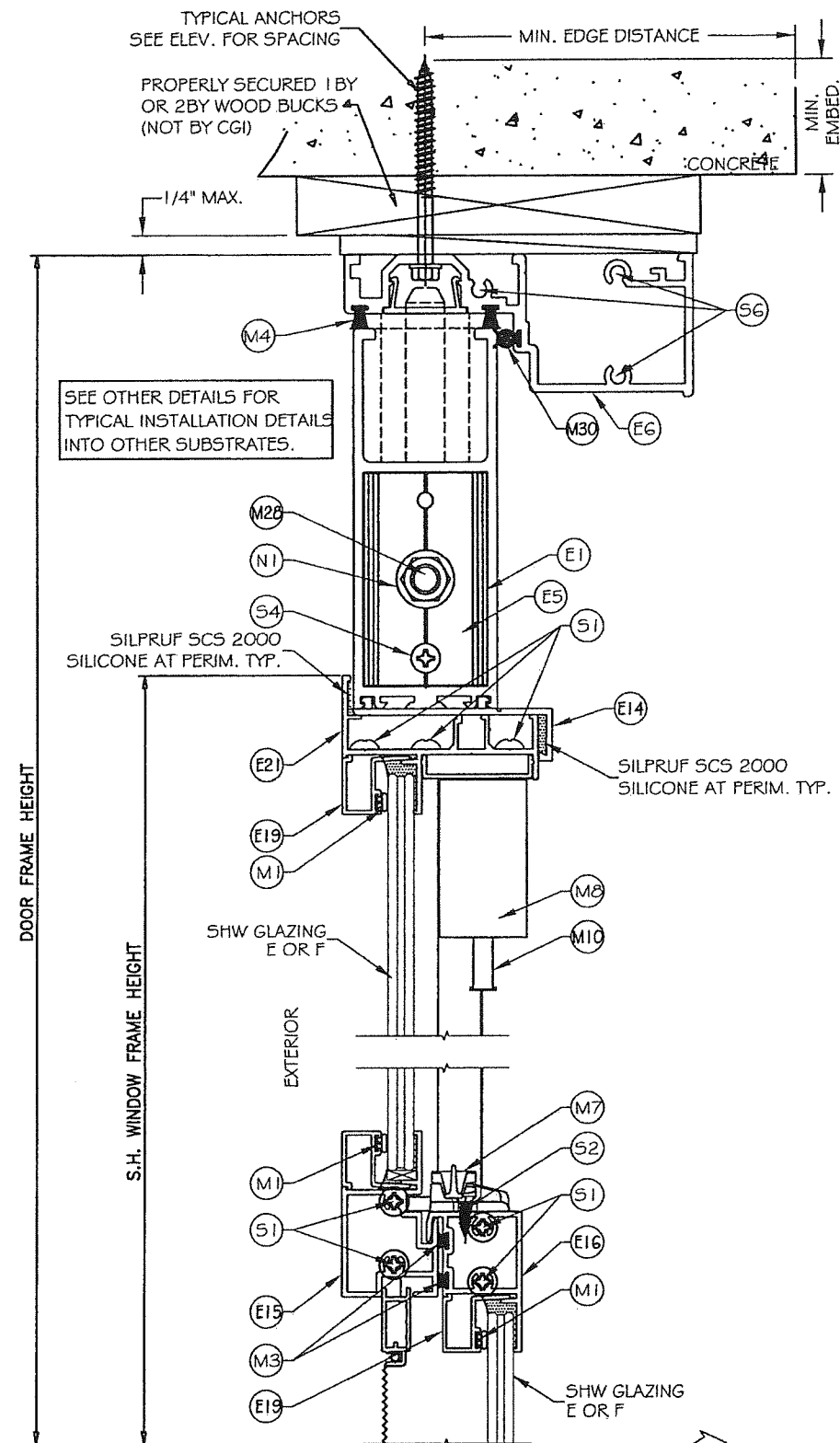
Revision:
ADDED HINGE DIMENSION
DETAIL AND WEEP HOLE
FORMULAS - JR - 6/26/20

PREPARED BY A. LYNN MILLER 1070 TECHNOLOGY DRIVE N. VENICE, FL 34275 (941) 480-1800	REGISTRATION #29296	Date	06/26/2020	Drawn By	J ROSOWSKI	Rev.	A
	CGI WINDOWS AND DOORS, INC. 3780 W 104TH STREET HIALEAH, FL 33018 (305) 593-6590	FD165 "BALCONY BREEZE", OUTSWING DOOR (LM)	Scale	NTS	DWG No.	165FD-OS-NOA	Sheet
ELEVATIONS		SENTINEL FD165		Series			



A. LYNN MILLER, P.E.
P.E.# 58705

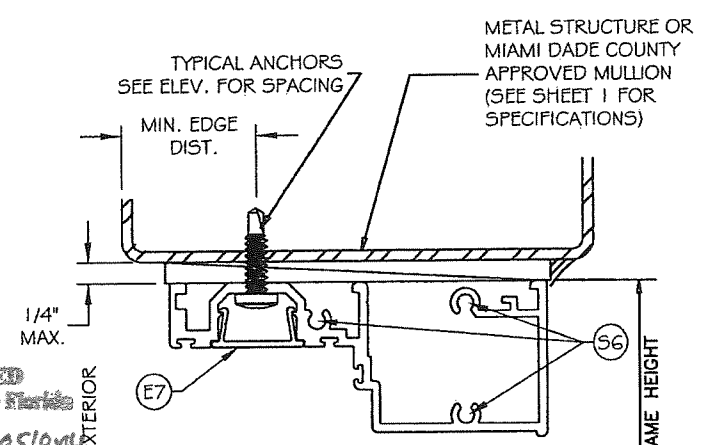
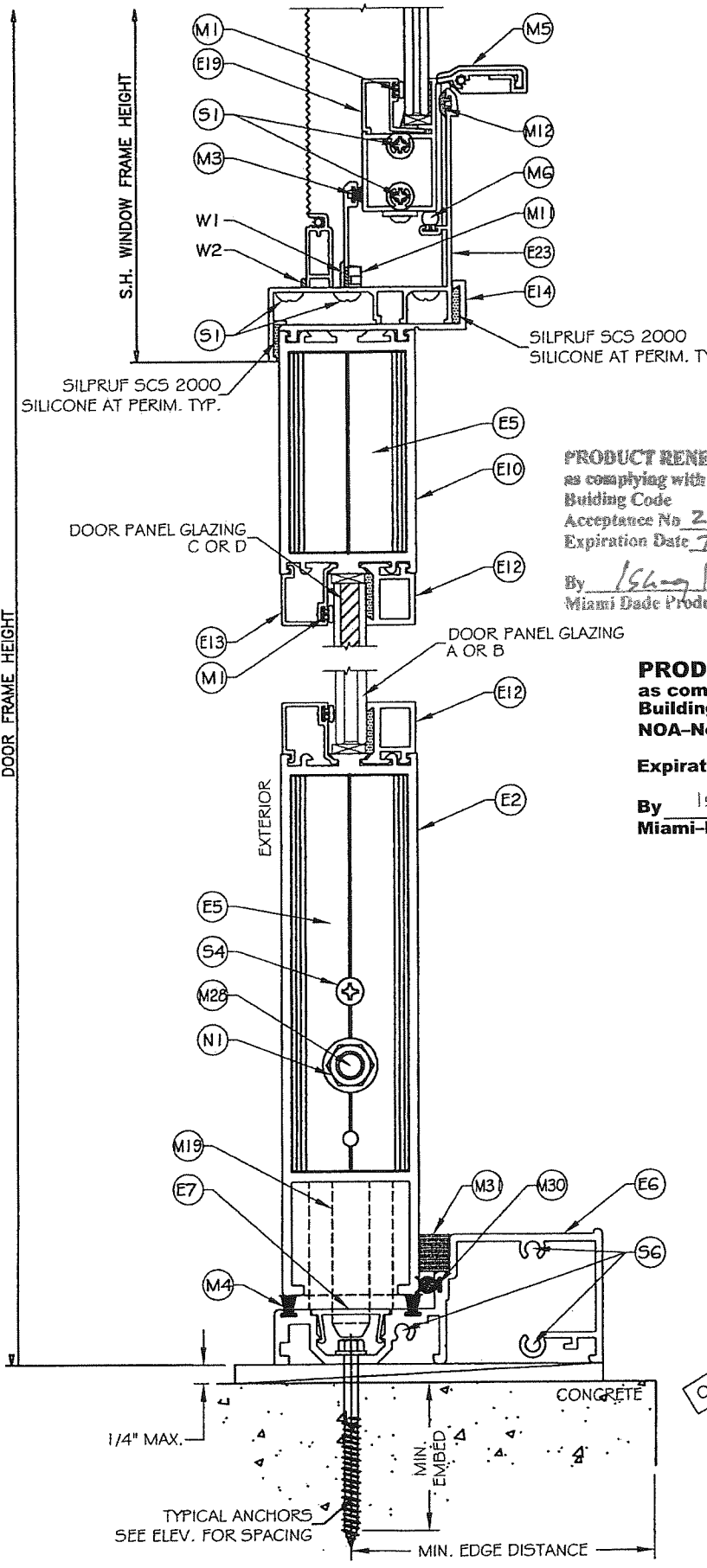
VERTICAL CROSS SECTION $\frac{1}{3}$



SEE OTHER DETAILS FOR TYPICAL INSTALLATION DETAILS INTO OTHER SUBSTRATES.



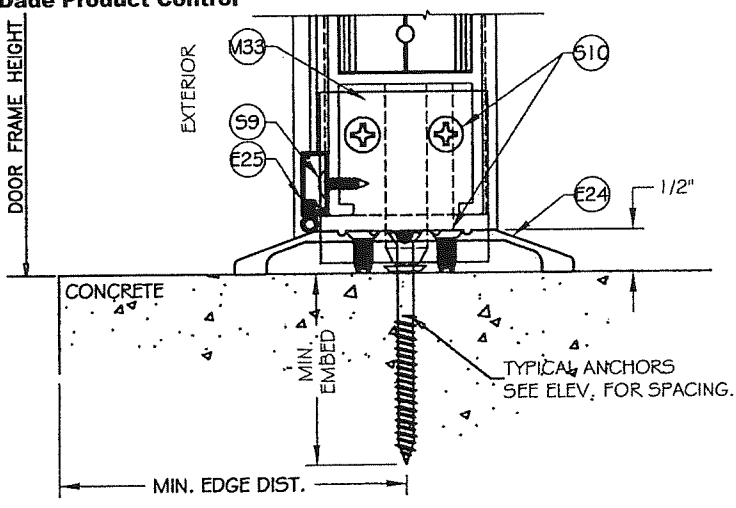
CONT.



VERTICAL CROSS SECTION AT HEAD $\frac{1A}{3}$

PRODUCT RENEWED
as complying with the Florida Building Code
Acceptance No. 21-051004
Expiration Date 7/28/26
By Ishag I. Chankh
Miami Dade Product Control

PRODUCT REVISED
as complying with the Florida Building Code
NOA-No. 20-0722.14
Expiration Date 07/28/2021
By Ishag I. Chankh
Miami-Dade Product Control



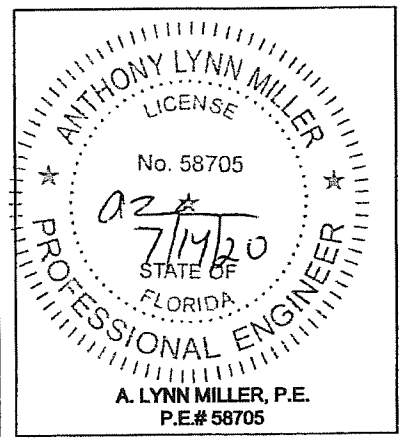
ADA THRESHOLD OPTION

APPROVED ONLY WHEN WATER INFILTRATION REQUIREMENT IS NOT NEEDED.
(SEE OVERHANG REQUIREMENTS IN SHEET #1)

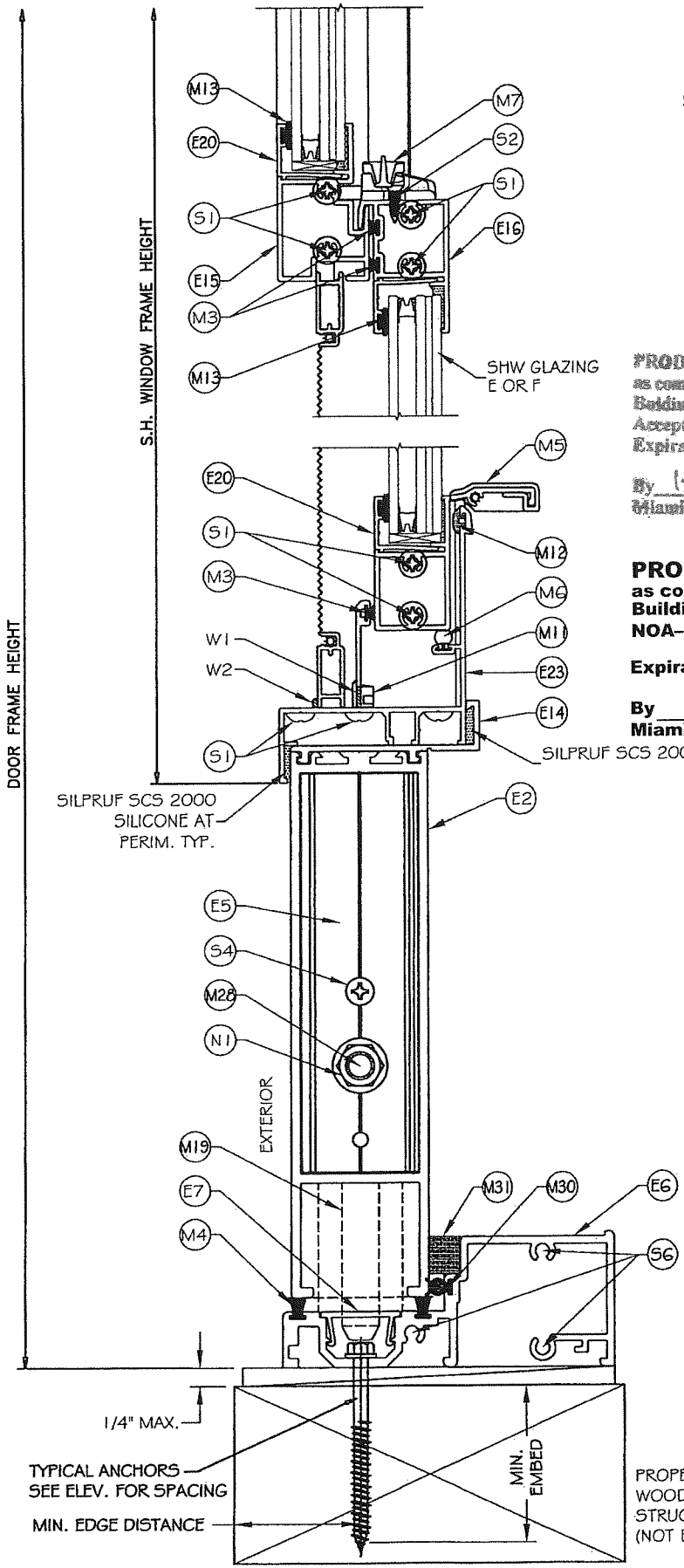
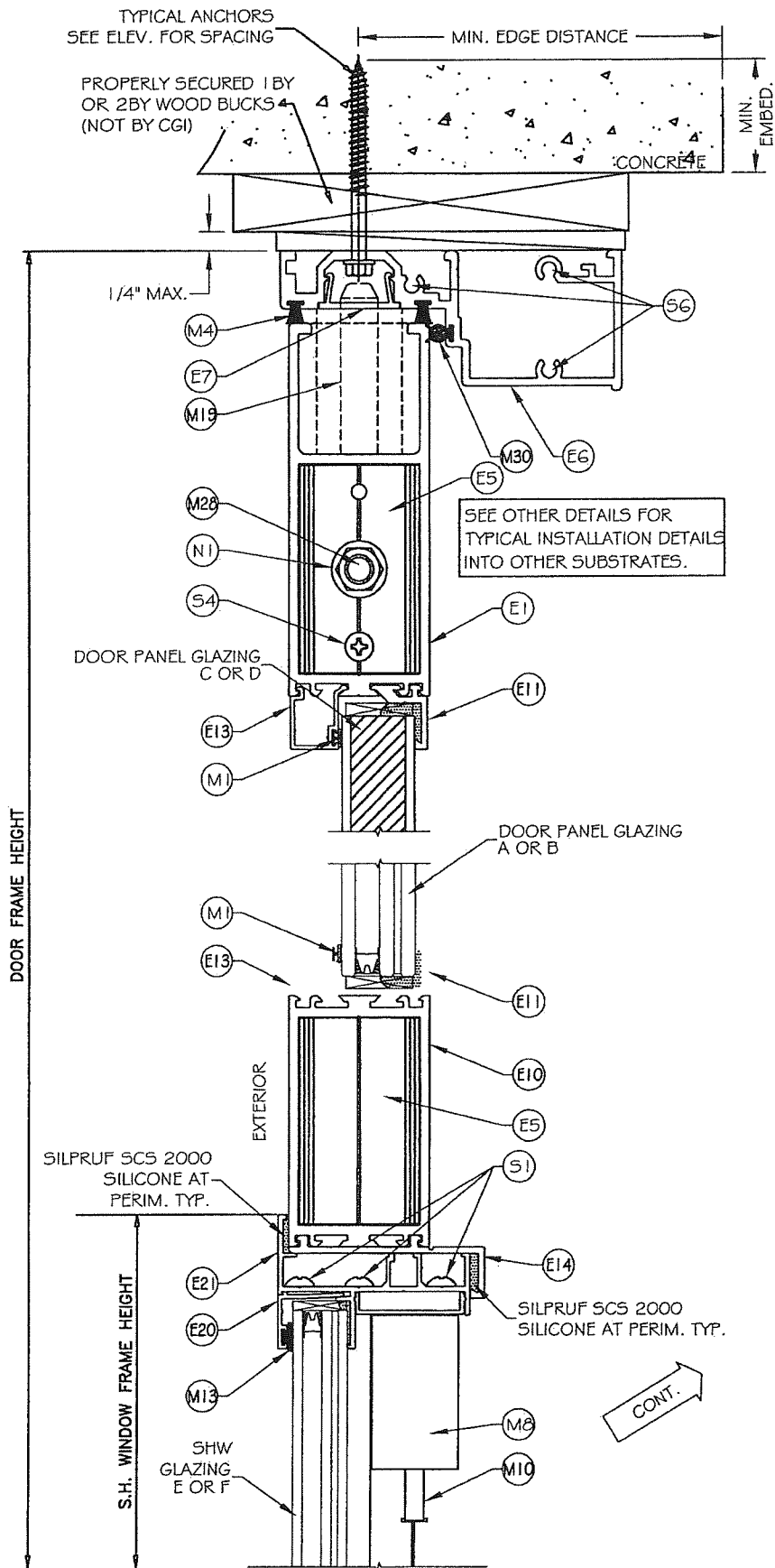
STD. THRESHOLD OPTION

Revision: REFORMATTED DETAILS - JR - 6/26/20

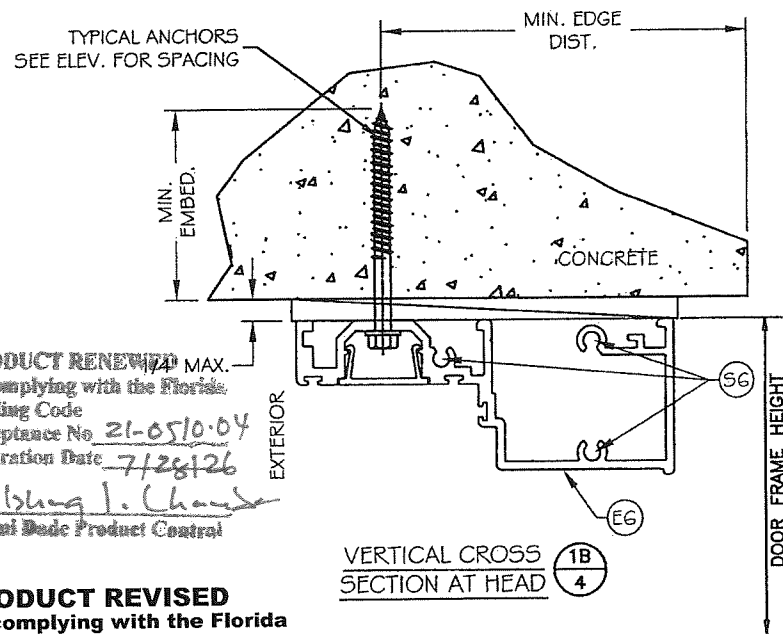
PREPARED BY A. LYNN MILLER 1070 TECHNOLOGY DRIVE N. VENICE, FL 34275 (941) 480-1600	REGISTRATION #29296	Date 06/26/2020	Drawn By J ROSOWSKI	DWG No. 165FD-OS-NOA A
	Impact Resistant Windows & Doors WE'RE STRONGER™ CGI WINDOWS AND DOORS, INC. 3780 W 104TH STREET HIALEAH, FL 33018 (305) 593-6590	FD165 "BALCONY BREEZE", OUTSWING DOOR (LM)	Scale NTS	Sheet 3 OF 10



VERTICAL CROSS SECTION $\frac{1}{4}$

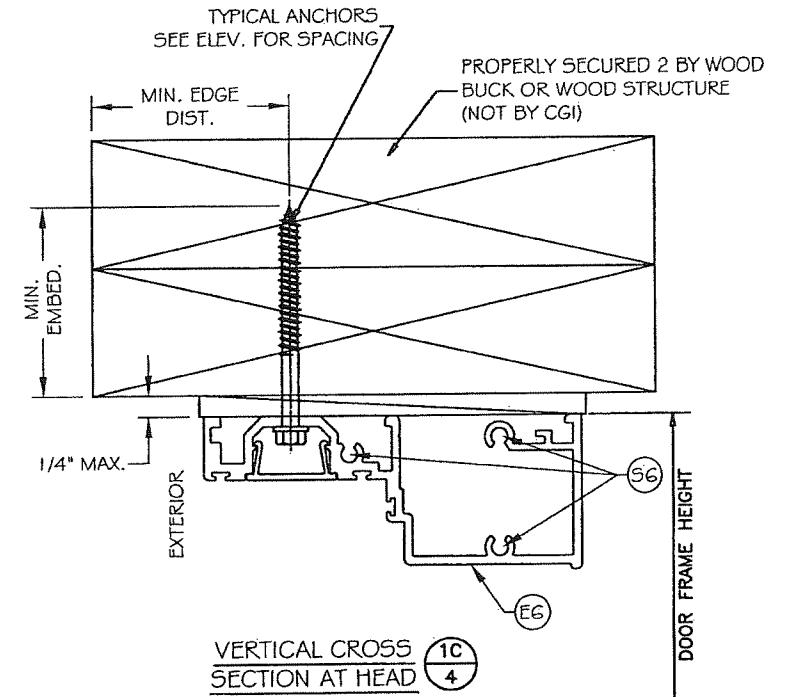


STD. THRESHOLD OPTION



PRODUCT REVISED
 as complying with the Florida
 Building Code
 Acceptance No. 21-0510-04
 Expiration Date 7/28/26
 By Ishag I. Chaudhry
 Miami-Dade Product Control

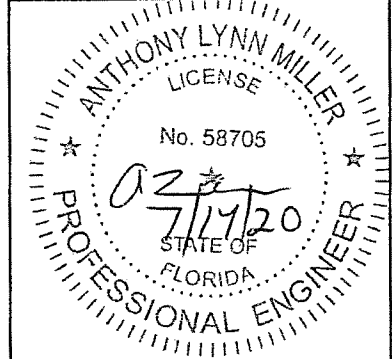
PRODUCT REVISED
 as complying with the Florida
 Building Code
 NOA-No. 20-0722.14
 Expiration Date 07/28/2021
 By Ishag I. Chaudhry
 Miami-Dade Product Control



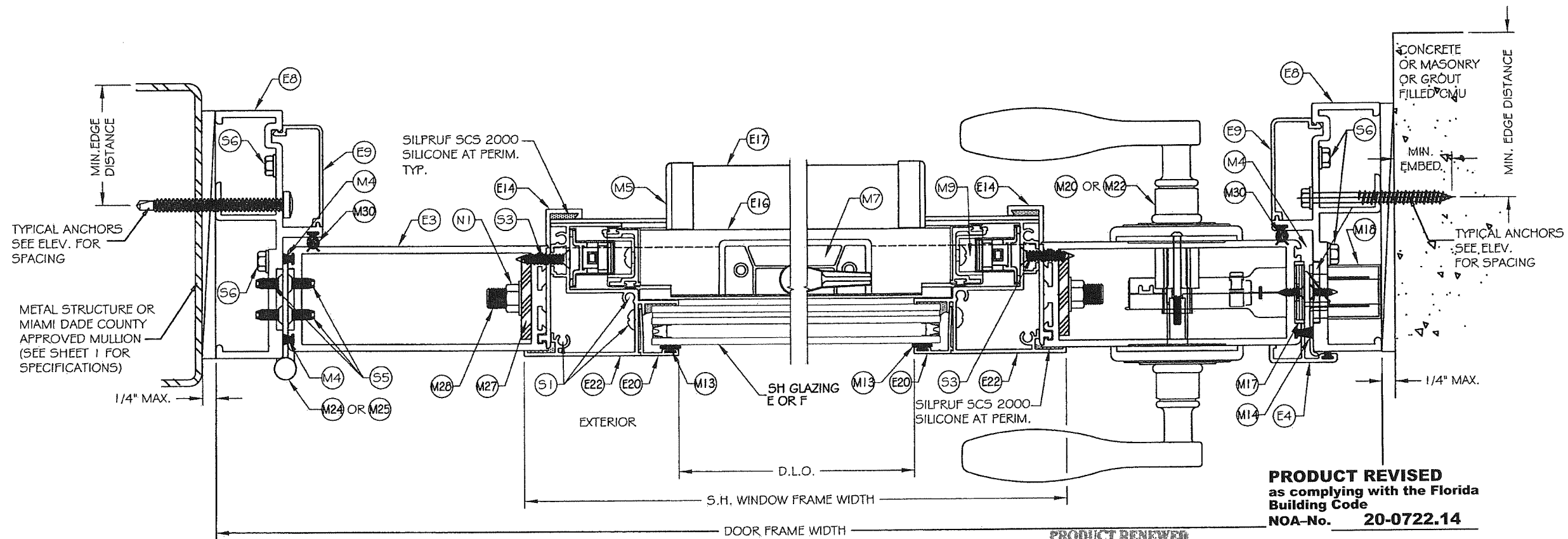
VERTICAL CROSS SECTION AT HEAD $\frac{1C}{4}$

Revision:
 REFORMATTED DETAILS -
 JR - 6/26/20

PREPARED BY A. LYNN MILLER 1070 TECHNOLOGY DRIVE N. VENICE, FL 34275 (941) 480-1600	REGISTRATION #29296	Date	06/26/2020	Rev	A
	CGI WINDOWS AND DOORS, INC. 3780 W 104TH STREET HIALEAH, FL 33018 (305) 593-6590	Drawn By	J ROSOWSKI	DWG No.	165FD-OS-NOA
Impact Resistant Windows & Doors WE'RE STRONGER™	Scale	NTS	Sheet	4 OF 10	
FD165 "BALCONY BREEZE", OUTSWING DOOR (LM)	Series Desc.	SENTINEL FD165			



A. LYNN MILLER, P.E.
 P.E.# 58705



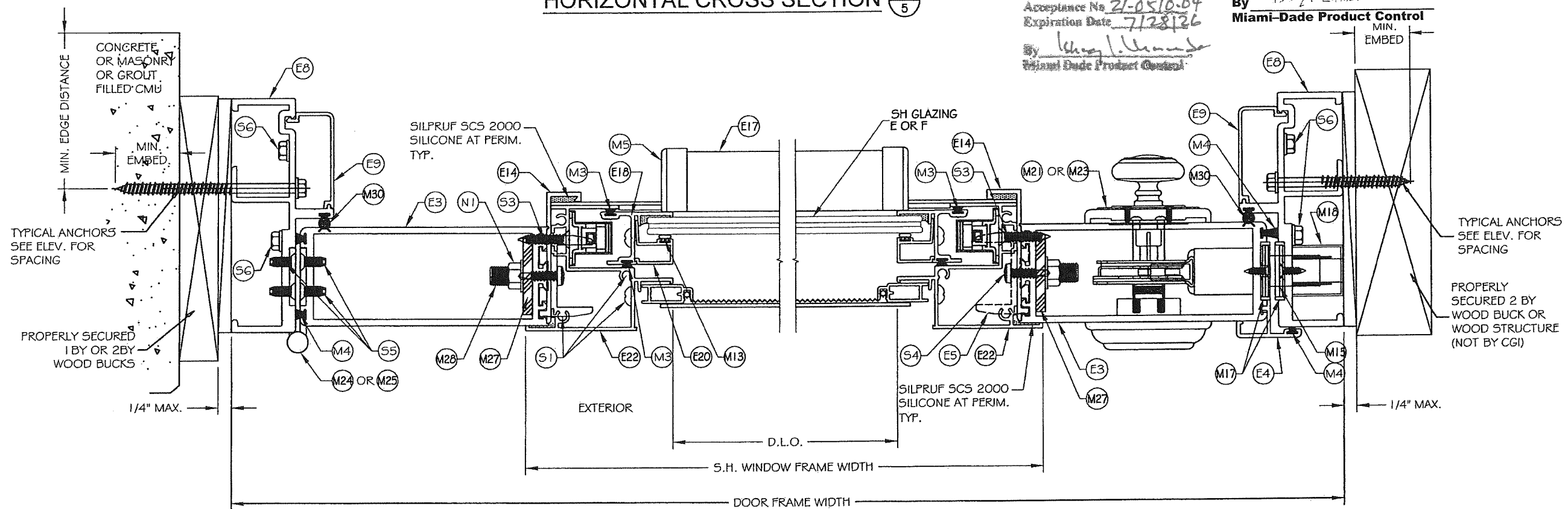
HORIZONTAL CROSS SECTION $\frac{1}{5}$

PRODUCT REVISED
 as complying with the Florida
 Building Code
 NOA-No. **20-0722.14**

Expiration Date **07/28/2021**

PRODUCT RENEWED
 as complying with the Florida
 Building Code
 Acceptance No. 21-0510-04
 Expiration Date 7/28/26
 By Ashraf I. Chanda
 Miami-Dade Product Control

By Ashraf I. Chanda
 Miami-Dade Product Control



HORIZONTAL CROSS SECTION $\frac{2}{5}$

TYPICAL ANCHORS
 SEE ELEV. FOR
 SPACING

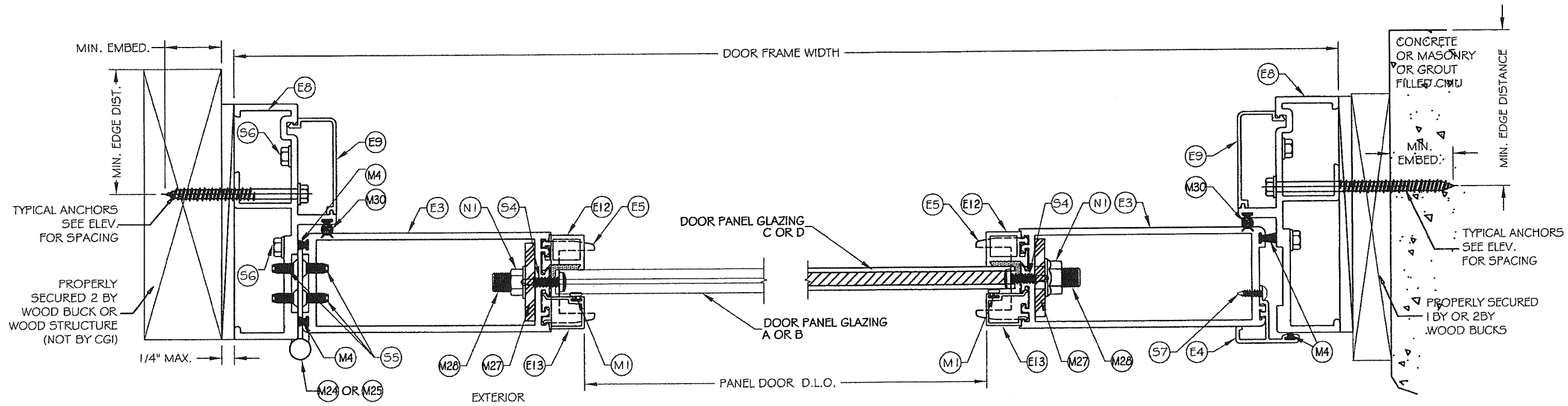
PROPERLY
 SECURED 2 BY
 WOOD BUCK OR
 WOOD STRUCTURE
 (NOT BY CGI)

Revision: REFORMATTED DETAILS - JR - 6/26/20

PREPARED BY A. LYNN MILLER 1070 TECHNOLOGY DRIVE N. VENICE, FL 34275 (941) 480-1600	REGISTRATION #29296	Date	06/26/2020
		By	J ROSOWSKI
		DWG No.	165FD-OS-NOA A
Impact Resistant Windows & Doors WE'RE STRONGER™ CGI WINDOWS AND DOORS, INC. 3780 W 104TH STREET HIALEAH, FL 33018 (305) 593-6890	FD165 "BALCONY BREEZE", OUTSWING DOOR (LM)	Scale	5 OF 10
		Series	NTS
		Sheet	SENTINEL FD165

ANTHONY LYNN MILLER
 LICENSE
 No. 58705
 02/7/19/20
 STATE OF
 FLORIDA
 PROFESSIONAL ENGINEER

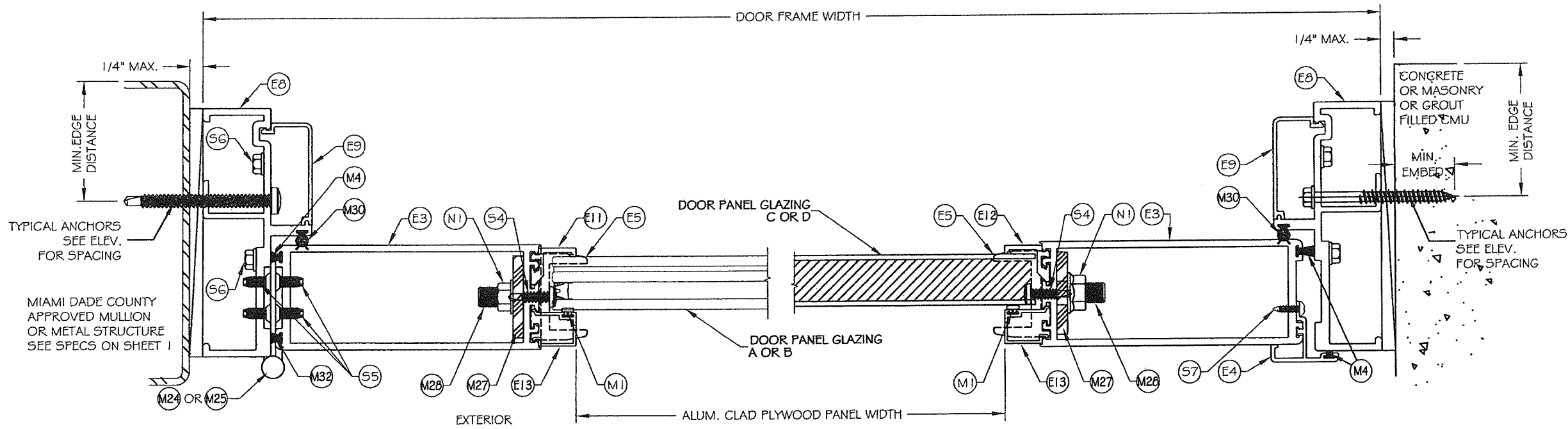
A. LYNN MILLER, P.E.
 P.E.# 58705



HORIZONTAL CROSS SECTION (1A/6)

PRODUCT REVISED
 as complying with the Florida
 Building Code
 NOA-No. **20-0722.14**
 Expiration Date **07/28/2021**
 By *Shay L. Clark*
 Miami-Dade Product Control

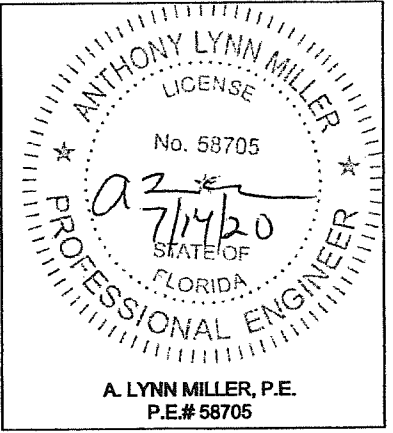
PRODUCT RENEWED
 as complying with the Florida
 Building Code
 Acceptance No. *21-0510-04*
 Expiration Date *7/28/26*
 By *Shay L. Clark*
 Miami-Dade Product Control



HORIZONTAL CROSS SECTION (1B/6)

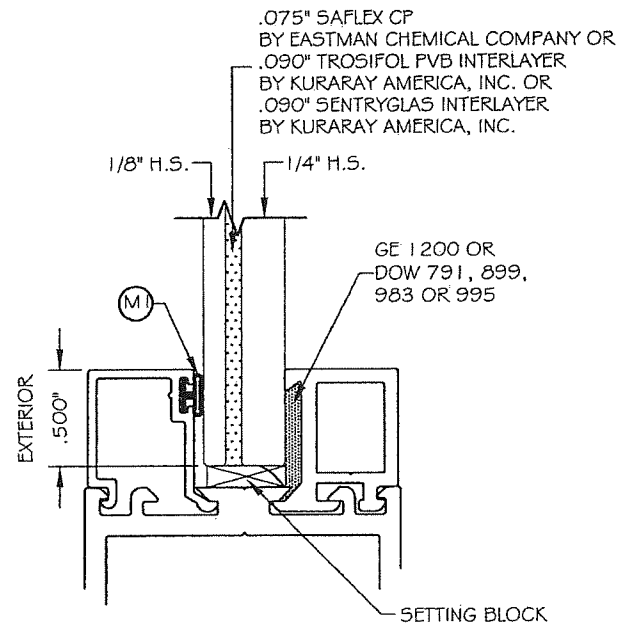
Revision: REFORMATTED DETAILS - JR - 6/26/20

PREPARED BY A. LYNN MILLER 1070 TECHNOLOGY DRIVE N. VENICE, FL 34275 (941) 480-1600	REGISTRATION #29296	Date 06/26/2020	Drawn By J ROSOWSKI	Title 165FD-OS-NOA A
	Impact Resistant Windows & Doors WE'RE STRONGER™ CGI WINDOWS AND DOORS, INC. 3780 W 104TH STREET HIALEAH, FL 33018 (305) 593-6590	SENTINEL FD165	Scale NTS	Sheet 6 OF 10

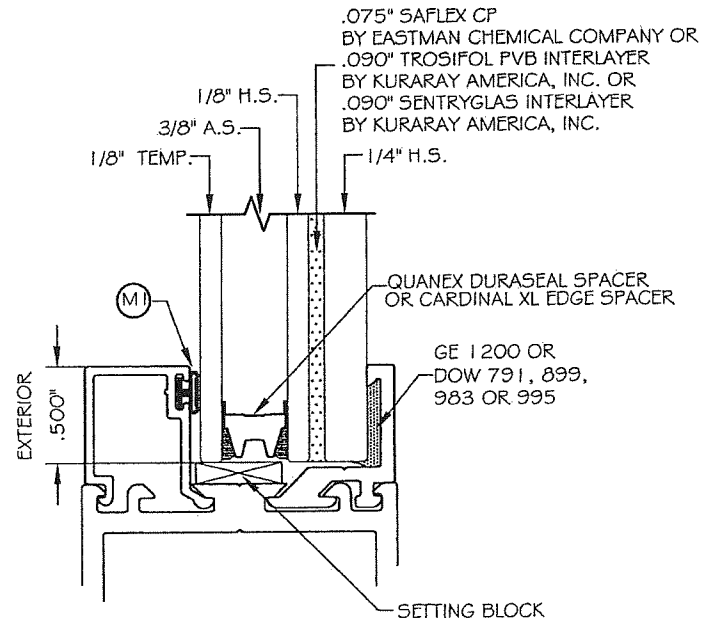


A. LYNN MILLER, P.E.
 P.E.# 58705

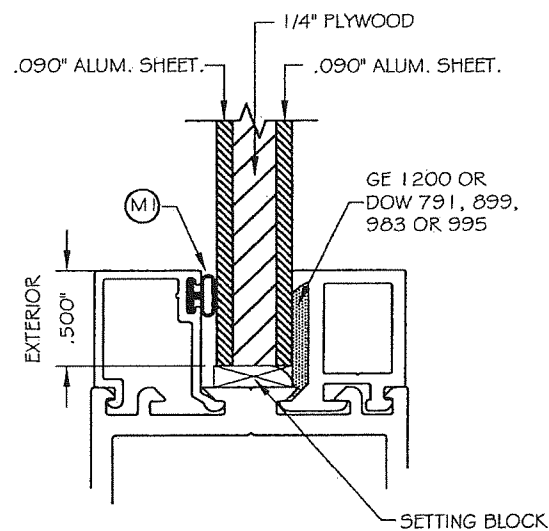
DOOR PANEL GLAZING DETAILS & OPTIONS



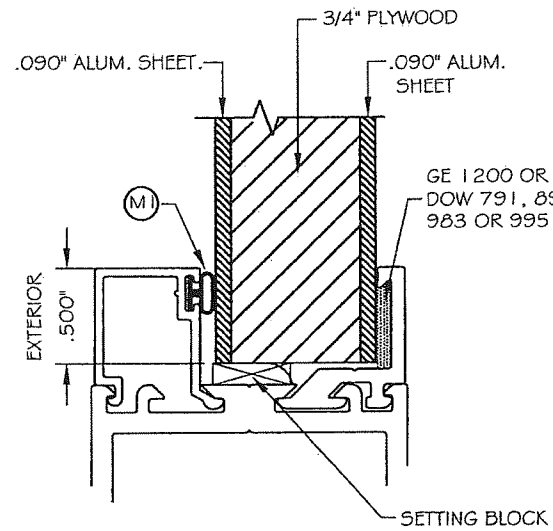
GLASS TYPE A
7/16" OVERALL THICKNESS



GLASS TYPE B
1" OVERALL THICKNESS



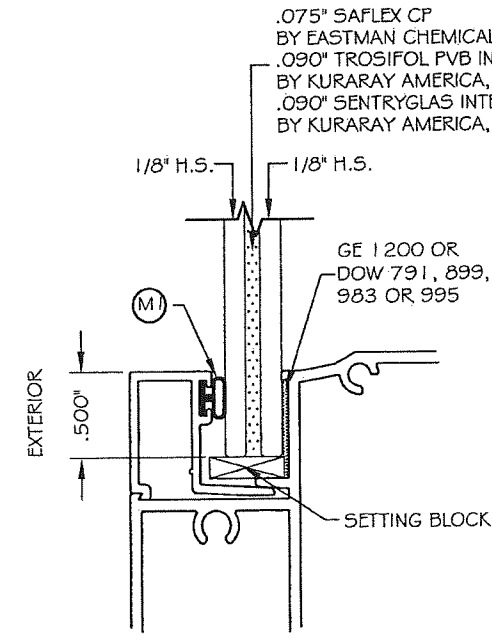
ALUM. CLAD PLYWOOD TYPE C
7/16" OVERALL THICKNESS



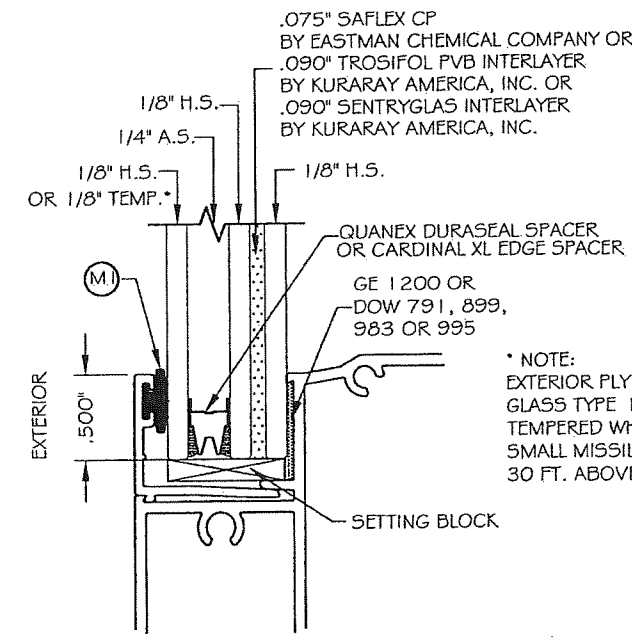
ALUM. CLAD PLYWOOD TYPE D
1" OVERALL THICKNESS

NOTE:
GLASS COMPLIES WITH ASTM E 1300-09 (3 SEC. GUSTS).

SINGLE HUNG WINDOW GLAZING DETAILS & OPTIONS



GLASS TYPE E
5/16" OVERALL THICKNESS



GLASS TYPE F
11/16" OVERALL THICKNESS

PRODUCT RENEWED
as complying with the Florida
Building Code
Acceptance No. 21-05/0-04
Expiration Date 7/28/26
By *Ismael L. Chanda*
Miami-Dade Product Control

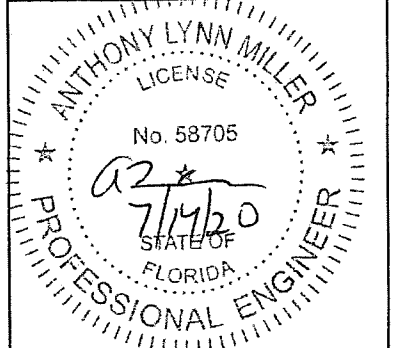
PRODUCT REVISED
as complying with the Florida
Building Code
NOA-No. 20-0722.14

Expiration Date 07/28/2021

By *Ismael L. Chanda*
Miami-Dade Product Control

Revision: ADDED BACKBEDDING - JR -
6/26/20

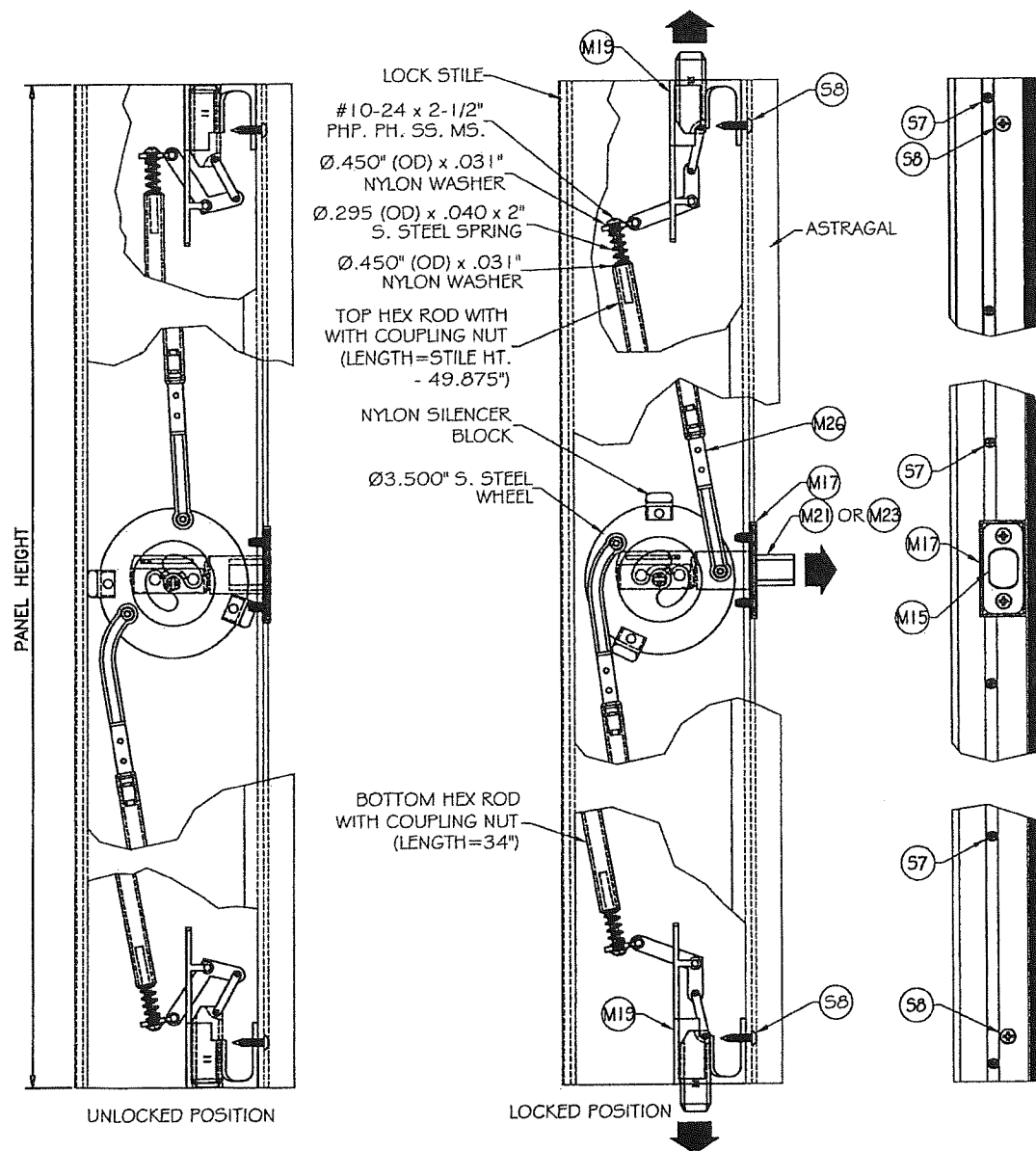
PREPARED BY A. LYNN MILLER 1070 TECHNOLOGY DRIVE N. VENICE, FL 34275 (941) 480-1600	REGISTRATION #29296	Date	06/26/2020	J ROSOWSKI	Rev.	A
	CGI WINDOWS AND DOORS, INC. "WE'RE STRONGER™" 3780 W 104TH STREET HIALEAH, FL 33018 (305) 593-6590	FD165 "BALCONY BREEZE", OUTSWING DOOR (LM)	By			
Impact Resistant Windows & Doors "WE'RE STRONGER™"	7 OF 10	Scale	NTS	Sheet	7 OF 10	DMG
SENTINEL FD165	GLAZING DETAILS	Series	SENTINEL FD165	Title	FD165 "BALCONY BREEZE", OUTSWING DOOR (LM)	Desc.



A. LYNN MILLER, P.E.
P.E.# 58705

BILL OF MATERIALS					
ITEM	PART No.	QUANTITY	DESCRIPTION	MATERIAL	SUPPLIER
E1	AL-500A	1	DOOR PANEL TOP RAIL	6063-T6	KEYMARK
E2	AL-501	1	DOOR PANEL BOTTOM RAIL	6063-T6	KEYMARK
E3	AL-502	2	DOOR PANEL VERTICAL STILE	6063-T6	KEYMARK
E4	AL-505	1	ASTRAGAL	6063-T5	KEYMARK
E5	AL-506	6	SHEAR BLOCK	6063-T6	KEYMARK
E6	AL-507	2	DOOR FRAME HEAD / SILL	6063-T6	KEYMARK
E7	AL-508	2	DOOR FRAME HEAD / SILL SCREW CAP	6063-T5	KEYMARK
E8	AL-509	2	DOOR FRAME JAMB	6063-T6	KEYMARK
E9	AL-511	2	JAMB SCREW COVER	6063-T5	KEYMARK
E10	AL-514	1	TRUE MUNTIN (4-5/8")	6063-T5	KEYMARK
E11	AL-515	AS REQD.	GLAZING ADAPTOR (INSUL.-LAM. GLASS)	6063-T6	KEYMARK
E12	AL-519	AS REQD.	GLAZING ADAPTOR (7/16" LAM. / SOLID PANEL)	6063-T6	KEYMARK
E13	AL-396	AS REQD.	GLAZING BEAD (7/16" LAM. / INSUL.-LAM. GLASS)	6063-T5	KEYMARK
E14	AL-1061	4/DOOR	WINDOW FILLER	6063-T6	KEYMARK
E15	AL-103	1	WINDOW FIXED MEETING RAIL	6063-T6	KEYMARK
E16	AL-104	1	WINDOW LOCK RAIL	6063-T6	KEYMARK
E17	AL-105	1	WINDOW HANDLE RAIL	6063-T6	KEYMARK
E18	AL-106	2	WINDOW SASH RAIL	6063-T6	KEYMARK
E19	AL-107	AS REQD.	GLAZING BEAD (5/16" LAM. GLASS)	6063-T5	KEYMARK
E20	AL-108	AS REQD.	GLAZING BEAD (3/4" INSUL.-LAM. GLASS)	6063-T5	KEYMARK
E21	AL-135	1	WINDOW FRAME HEAD	6063-T6	KEYMARK
E22	AL-136	2	WINDOW FRAME JAMB	6063-T6	KEYMARK
E23	AL-137	1	WINDOW FRAME SILL	6063-T6	KEYMARK
E24	AL-540	1	ADA SADDLE THRESHOLD	6063-T6	SCREEN TECH.
E25	HD-DOOR SWEEP	1	DOOR SWEEP (OPTIONAL)	ALUM.	SCREEN TECH.
M1	382V	AS REQD.	GLAZING BULB (DUROMETER 75/80 SHORE A)	PVC	MELTPOINT
M2	BL-110-2340	2/WINDOW	BLOCK & TACKLE BALANCE	-	BSI
M3	W23201	AS REQD.	.187" x 200" ULTRA-FIN WEATHERSTRIP	-	ULTRAFAB
M4	W33321	AS REQD.	.187" x 320" ULTRA-FIN WEATHERSTRIP	-	ULTRAFAB
M5	HD-131-R/L	1/EACH	HANDLE RAIL END CAP (R) RIGHT AND (L) LEFT	NYLON	M&M PLASTICS
M6	E26018WN	1/WINDOW	BULB WEATHERSTRIP, AT WINDOW SILL	PVC	ULTRAFAB
M7	HD-CAM LOCK	1/WINDOW	WINDOW CAM LOCK	ZINC	TRUTH
M8	HD-132	2/SASH	SASH STOP, 2" LONG	PVC	PROTOTYPE
M9	HD-125	2/SASH	SASH CAM	PVC	M&M PLASTICS
M10	HD-121	2/WINDOW	SASH TAKE OUT CLIP	-	BSI
M11	HD-146-6	2/WINDOW	WINDOW WEEP COVER	PVC	AMESBURY
M12	HD-134	1/WINDOW	SILL SPACER	PVC	PROTOTYPE
M13	HD-12-1010G	AS REQD.	GLAZING GASKET (INSUL.-LAM.)	PVC	MELTPOINT
M14	HD-537	1	LATCH LOCK STRIKE PLATE	S.STEEL	BALDWIN
M15	HD-538	1	DEADBOLT STRIKE PLATE	S.STEEL	BALDWIN
M16	HD-536N	1	LATCH LOCK STRIKE PLATE SHIM	NYLON	-
M17	HD-390P	1/EACH	LATCH LOCK STRIKE & DEADBOLT PLATE SPACER	NYLON	-
M18	HD-STRIKE BOX	1/EACH	LATCH LOCK STRIKE & DEADBOLT DUST BOX	NYLON	-
M19	HD-525-9-REV	1	BOLT LOCK ASSEMBLY	S.STEEL	CGI
M20	HD-5455.05G	1	WAVE SATIN NICKEL STRIKE LEVER	-	BALDWIN
M21	HD-8231.05G	1	TRADITIONAL SATIN NICKEL DEADBOLT	-	BALDWIN
M22	HD-34-1011G	1	WAVERLIE SATIN STRIKE LEVER	-	COPPER CREEK
M23	HD-DB2410SS	1	SATIN STAINLESS DEADBOLT	-	COPPER CREEK
M24	HD-CH-108-W	4/LEAF	4-1/2" x 4" x 0.140" THK. HINGE	ALUMINUM	SULLIVAN
M25	HD-AB800-US	4/LEAF	4-1/2" x 4" x 0.140" THK. HINGE	S.STEEL	HAGER
M26	-	1/LEAF	THREE POINT LOCK MECHANISM ASSEMBLY	-	CGI
M27	HD-SHEAR PLATE	4/LEAF	SHEAR PLATE FOR Ø3/8" THREADED ROD	6063-T6	EASTERN METAL
M28	HD-Ø3/8" ROD	2/LEAF	Ø3/8"-16 FULLY THREADED ROD (ZINC PLATED)	STEEL	-

BILL OF MATERIALS					
ITEM	PART No.	QUANTITY	DESCRIPTION	MATERIAL	SUPPLIER
M30	32084	AS REQ.D	FOAM-TITE CLOSED CELL COMPRESSION SEAL	-	AMESBURY
M31	RE41	AS REQ.D	1/2 x 1/2" SELF ADHESIVE CLOSED CELL FOAM SEAL	EPDM	FRANK LOWE
M33	HD-CLIP	1	2" X 2" X 1/4" THK. ALUM. ANGLE, 2" LG.	ALUM.	-
S1	-	2 OR 3/CORNER	#10 x 1-1/4" PHP. PH. SMS. WINDOW ASSY.	S. STEEL	-
S2	-	2/LOCK	#6 x 1/2" PHP. PH. SMS. SWEEP LOCK ASSY.	S. STEEL	-
S3	-	AS REQD.	#10 x 1" PHP. PH. SMS. WINDOW TO DOOR ATTACH.	S. STEEL	-
S4	-	1/EACH	#10 x 3/4" PHP. PH. SMS. TEK SHEAR BLOCK ASSY.	S. STEEL	-
S5	-	8/HINGE	#12-24 x 1/2" PHP. FH. UC. TF. HINGE ASSY.	S. STEEL	-
S6	-	3/CORNER	#12 x 1-1/4" HH. SMS. DOOR FRAME ASSY.	S. STEEL	-
S7	-	5/LEAF	#6 x 1/2" PHP. TH. SMS. ASTRAGAL ASSY.	S. STEEL	-
S8	-	1/BOLT LOCK	#10 x 3/4" PHP. PH. SMS. BOLT LOCK ASSY.	S. STEEL	-
S9	-	2/LEG	#6 x 1/2" PHP. PH. SMS.	S. STEEL	-
S10	-	4/CLIP	#12-24 X 1/2" PHP. FH. UC.	S. STEEL	-
N1	-	4/LEAF	Ø3/8"-16 SERRATED-FLANGE LOCKNUT (ZINC PLATED)	STEEL	-



PROPRIETARY THREE-POINT LOCK MECHANISM DETAIL

PRODUCT RENEWED
as complying with the Florida
Building Code
Acceptance No. 21-0516.04
Expiration Date 7/28/2021
By *Anthony Lynn Miller*
Miami-Dade Product Control

PRODUCT REVISED
as complying with the Florida
Building Code
NOA-No. 20-0722.14
Expiration Date 07/28/2021
By *Isheq I. Chantz*
Miami-Dade Product Control

Revision: MOVED HARDWARE
DETAILS TO SHEET - JR -
6/26/20

PREPARED BY A. LYNN MILLER
1070 TECHNOLOGY DRIVE
N. VENICE, FL 34275
(941) 480-1600

REGISTRATION #29296

DATE 06/26/2020

Drawn By J. ROSOWSKI

DWG No. 165FD-OS-NOA A

Sheet 8 OF 10

Scale NTS

Series Desc. SENTINEL FD165

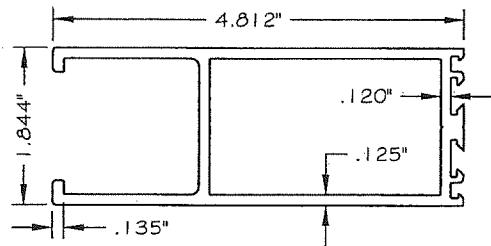
BOM AND HARDWARE DETAILS

Impact Resistant Windows & Doors
WERE STRONGER™
CGI WINDOWS AND DOORS, INC.
3780 W 104TH STREET
HIALEAH, FL 33018
(305) 593-6590

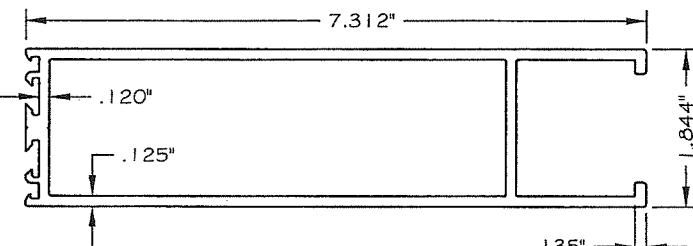
ANTHONY LYNN MILLER
LICENSE
No. 58705
7/19/20
STATE OF FLORIDA
PROFESSIONAL ENGINEER

A. LYNN MILLER, P.E.
P.E.# 58705

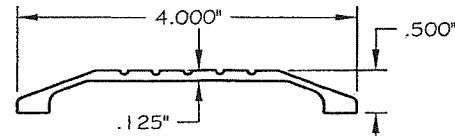
DOOR PANEL COMPONENTS



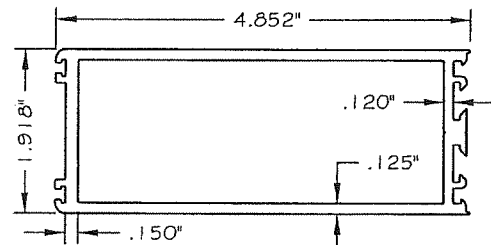
(E1) TOP RAIL



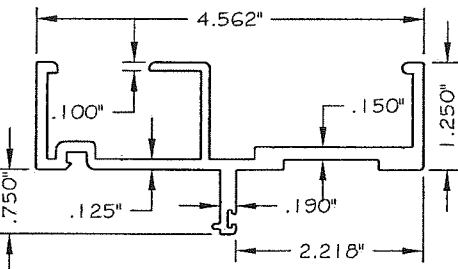
(E2) BOTTOM RAIL



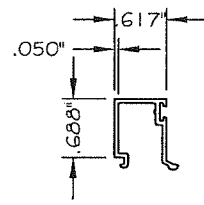
(E24) ADA SADDLE THRESHOLD



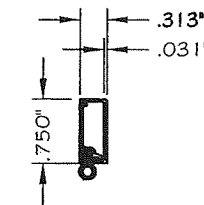
(E3) VERTICAL STILE



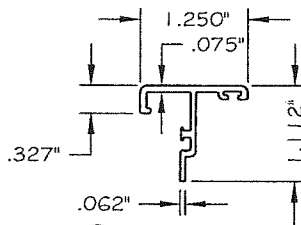
(E8) FRAME JAMB



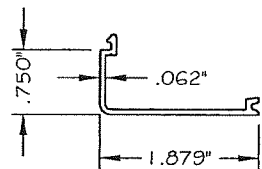
(E13) GLAZING BEAD



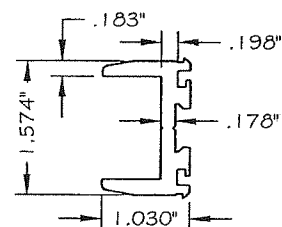
(E25) DOOR SWEEP



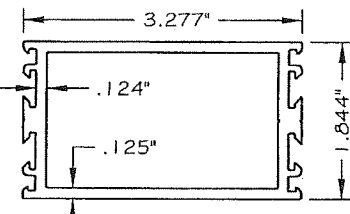
(E4) ASTRAGAL



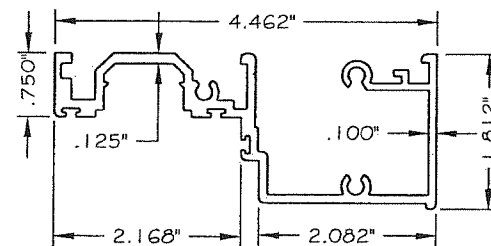
(E9) JAMB SCREW COVER



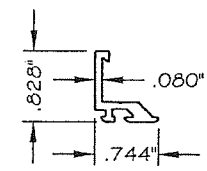
(E5) SHEAR BLOCK



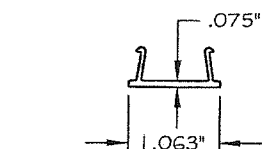
(E10) TRUE MUNTIN



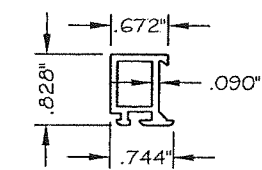
(E6) FRAME HEAD / SILL



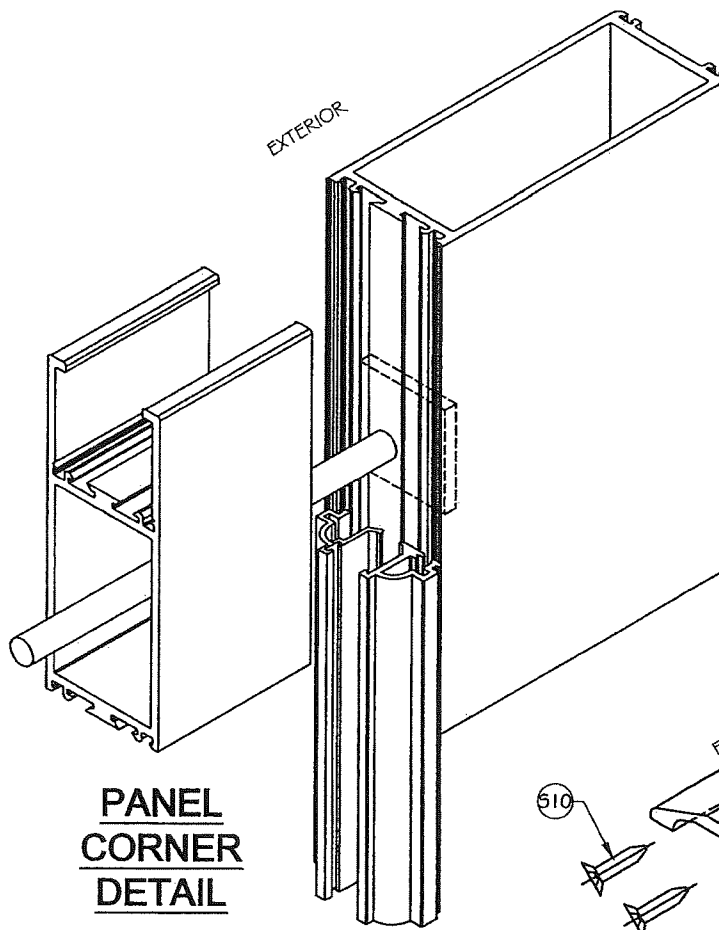
(E11) GLAZING ADAPTOR (INSUL.-LAM. GLASS)



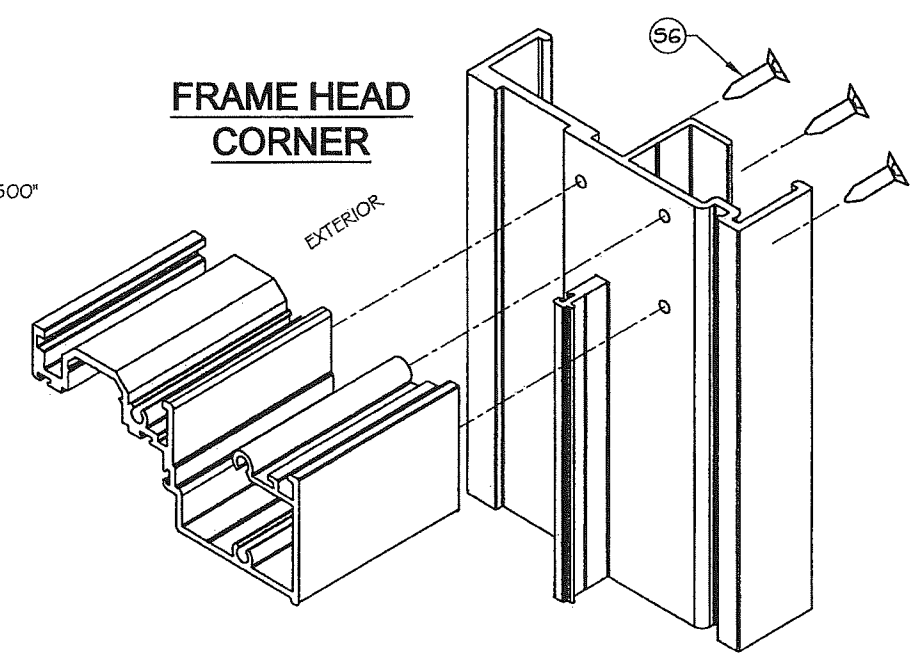
(E7) HEAD / SILL SCREW CAP



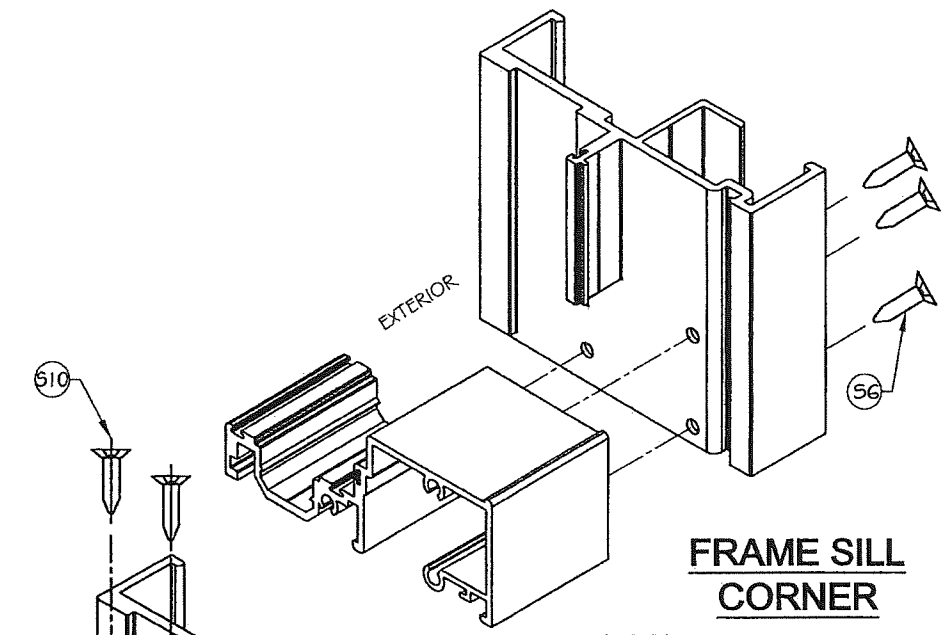
(E12) GLAZING ADAPTOR (LAM. GLASS)



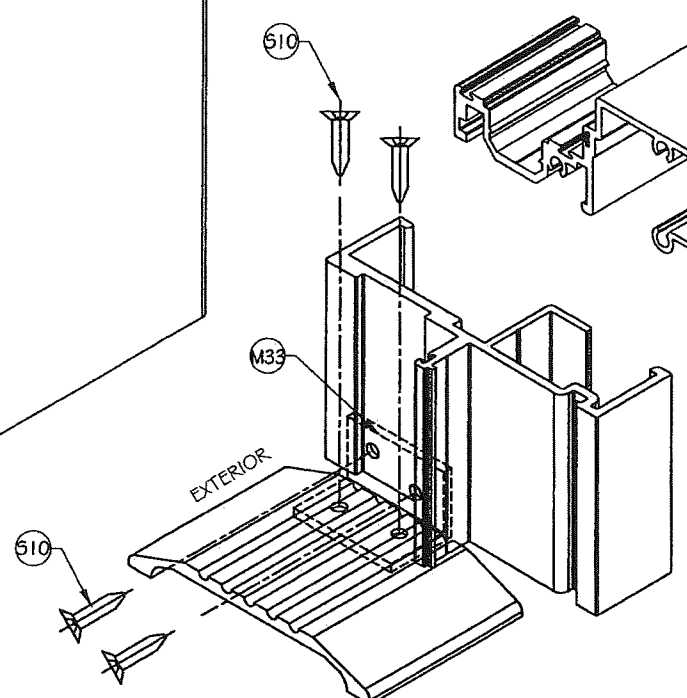
PANEL CORNER DETAIL



FRAME HEAD CORNER



FRAME SILL CORNER



ADA SADDLE THRESHOLD CORNER DETAIL

PRODUCT RENEWED
as complying with the Florida
Building Code
Acceptance No. 21-0510-04
Expiration Date 7/28/26

By *Anthony Lynn Miller*
Miami-Dade Product Control

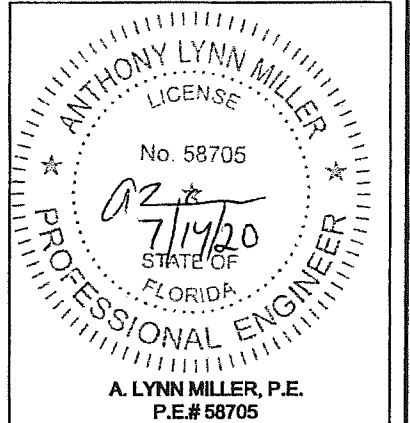
PRODUCT REVISED
as complying with the Florida
Building Code
NOA-No. 20-0722.14

Expiration Date 07/28/2021

By *Isheq I. Chanku*
Miami-Dade Product Control

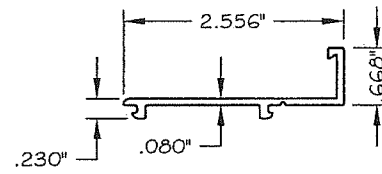
Revision:
COMBINED COMPONENTS
AND CORNER DETAILS TO
SHEET - JR - 6/26/20

PREPARED BY A. LYNN MILLER 1070 TECHNOLOGY DRIVE N. VENICE, FL 34275 (941) 480-1600	REGISTRATION #29296	Date	06/26/2020	Rev	A
	CGI WINDOWS AND DOORS, INC. 3780 W 104TH STREET HIALEAH, FL 33018 (305) 593-6590	FD165 "BALCONY BREEZE", OUTSWING DOOR (LM)	By	J ROSOWSKI	DWG No.
Impact Resistant Windows & Doors WE'RE STRONGER™	DOOR COMPONENTS AND CORNER DETAILS	Scale	NTS	Sheet	9 OF 10
SERIES	SENTINEL FD165	Desc.	NTS		

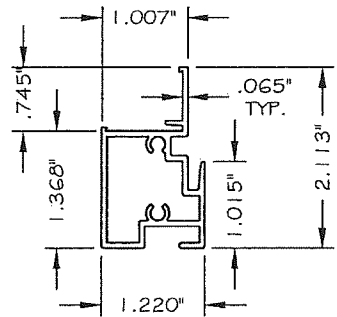


A. LYNN MILLER, P.E.
P.E.# 58705

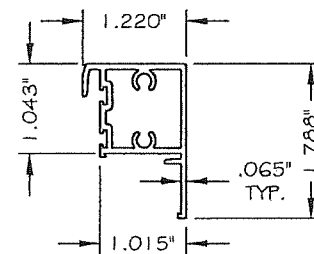
SINGLE HUNG WINDOW COMPONENTS



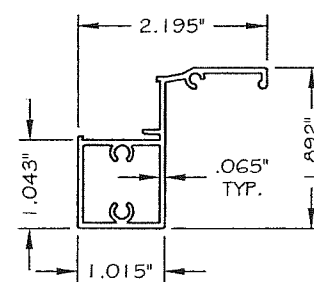
E14 WINDOW FILLER



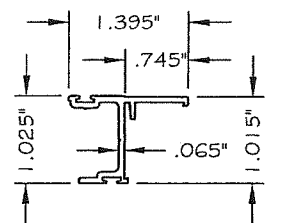
E15 MEETING RAIL



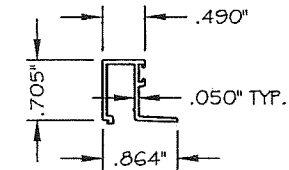
E16 LOCK RAIL



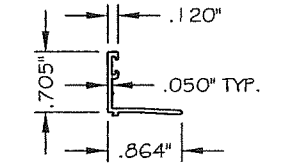
E17 HANDLE RAIL



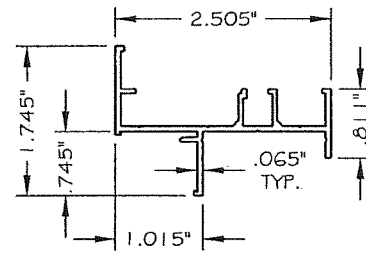
E18 SASH RAIL



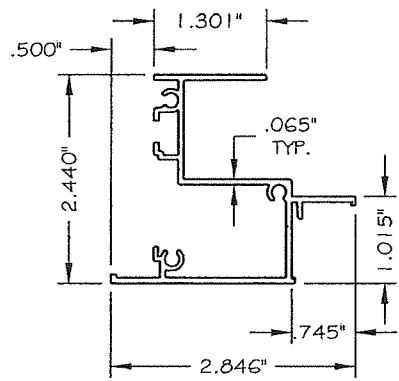
E19 GLAZING BEAD (LAM. GLASS)



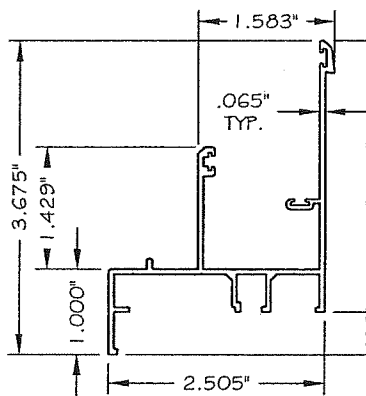
E20 GLAZING BEAD (INSUL.-LAM. GLASS)



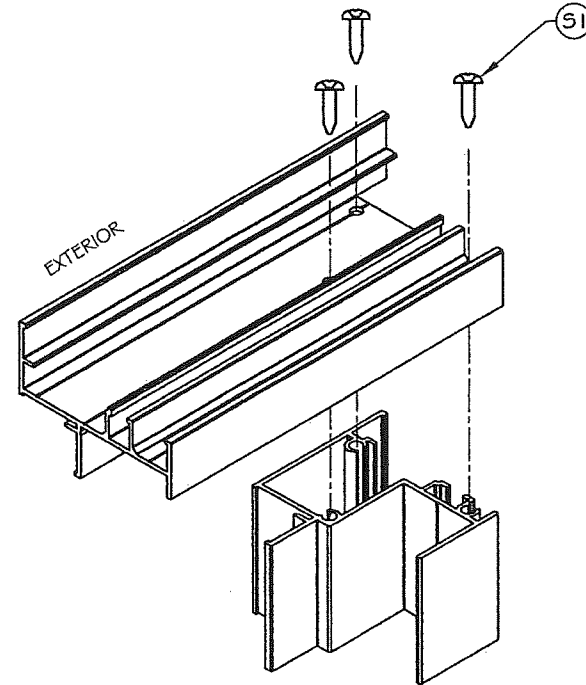
E21 FLANGE FRAME HEAD



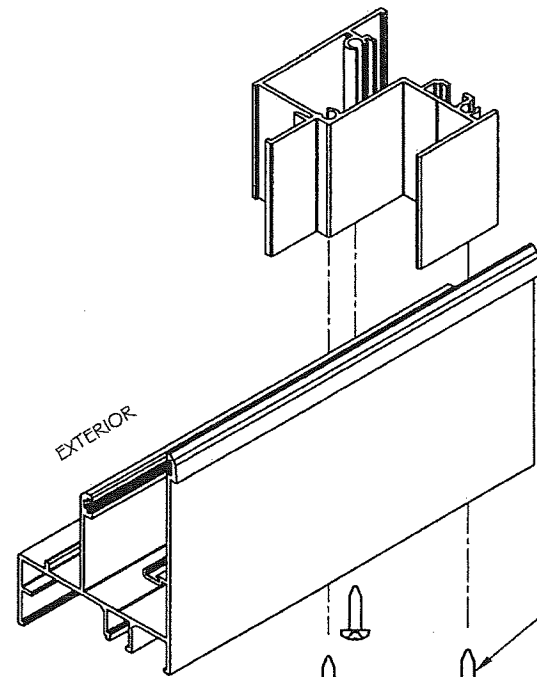
E22 FLANGE FRAME JAMB



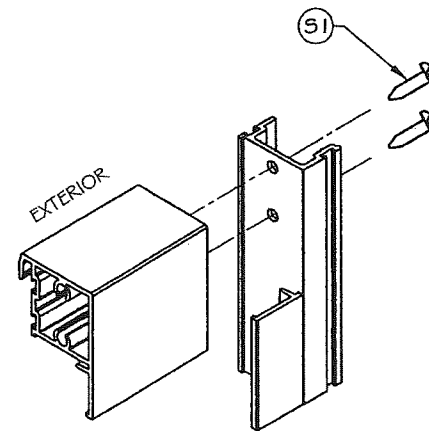
E23 FLANGE FRAME SILL



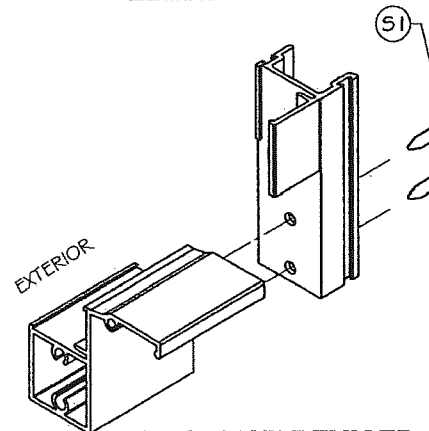
FRAME TOP CORNER



FRAME BOTTOM CORNER



VENT TOP CORNER

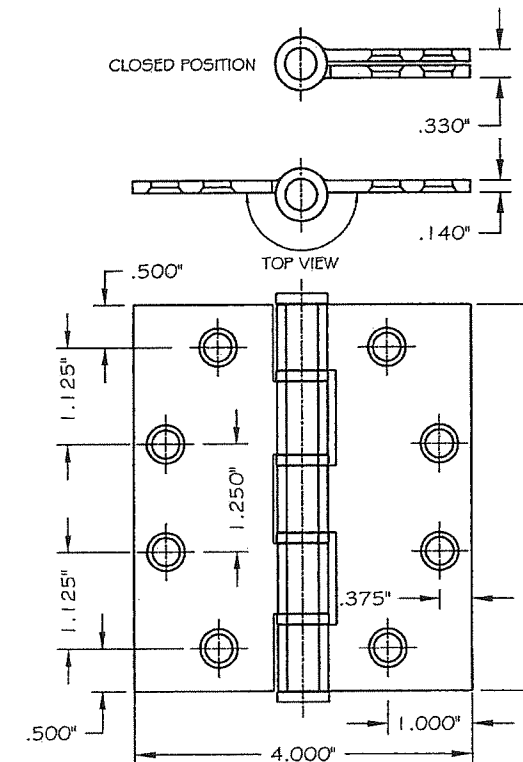


FRAME BOTTOM CORNER

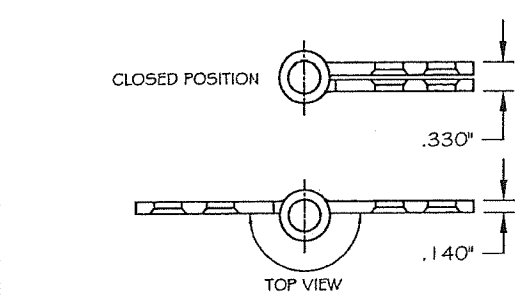
PRODUCT REVISED
as complying with the Florida
Building Code
NOA-No. 20-0722.14

Expiration Date 07/28/2021

By *Shang L. Zhang*
Miami-Dade Product Control



M24 4 1/2" X 4" X 0.140" THK. HINGE ALUMINUM



M25 4 1/2" X 4" X 0.140" THK. HINGE S. STEEL

PRODUCT RENEWED
as complying with the Florida
Building Code
Acceptance No. 21-0516-04
Expiration Date 7/28/26
By *Shang L. Zhang*
Miami-Dade Product Control

Revision:
COMBINED COMPONENTS
AND CORNER DETAILS TO
SHEET - JR - 6/26/20

PREPARED BY A. LYNN MILLER 1070 TECHNOLOGY DRIVE N. VENICE, FL 34275 (941) 480-1600	REGISTRATION #29296	DATE 06/26/2020	BY J ROSOWSKI	REV. A
	CGI WINDOWS AND DOORS, INC. 3780 W 104TH STREET HIALEAH, FL 33018 (305) 583-6590	FD165 "BALCONY BREEZE", OUTSWING DOOR (LM)	SH COMPONENTS AND CORNER DETAILS	165FD-OS-NOA
Impact Resistant Windows & Doors WE'RE STRONGER™	SENTINEL FD165	Scale	10 OF 10	165FD-OS-NOA
		Sheet	NTS	

ANTHONY LYNN MILLER
LICENSE
No. 58705
7/14/20
STATE OF FLORIDA
PROFESSIONAL ENGINEER
A. LYNN MILLER, P.E.
P.E.# 58705