

# TARGA

by  Impact Resistant  
Windows & Doors

## TARGA MULLION INSTALLATION INSTRUCTIONS

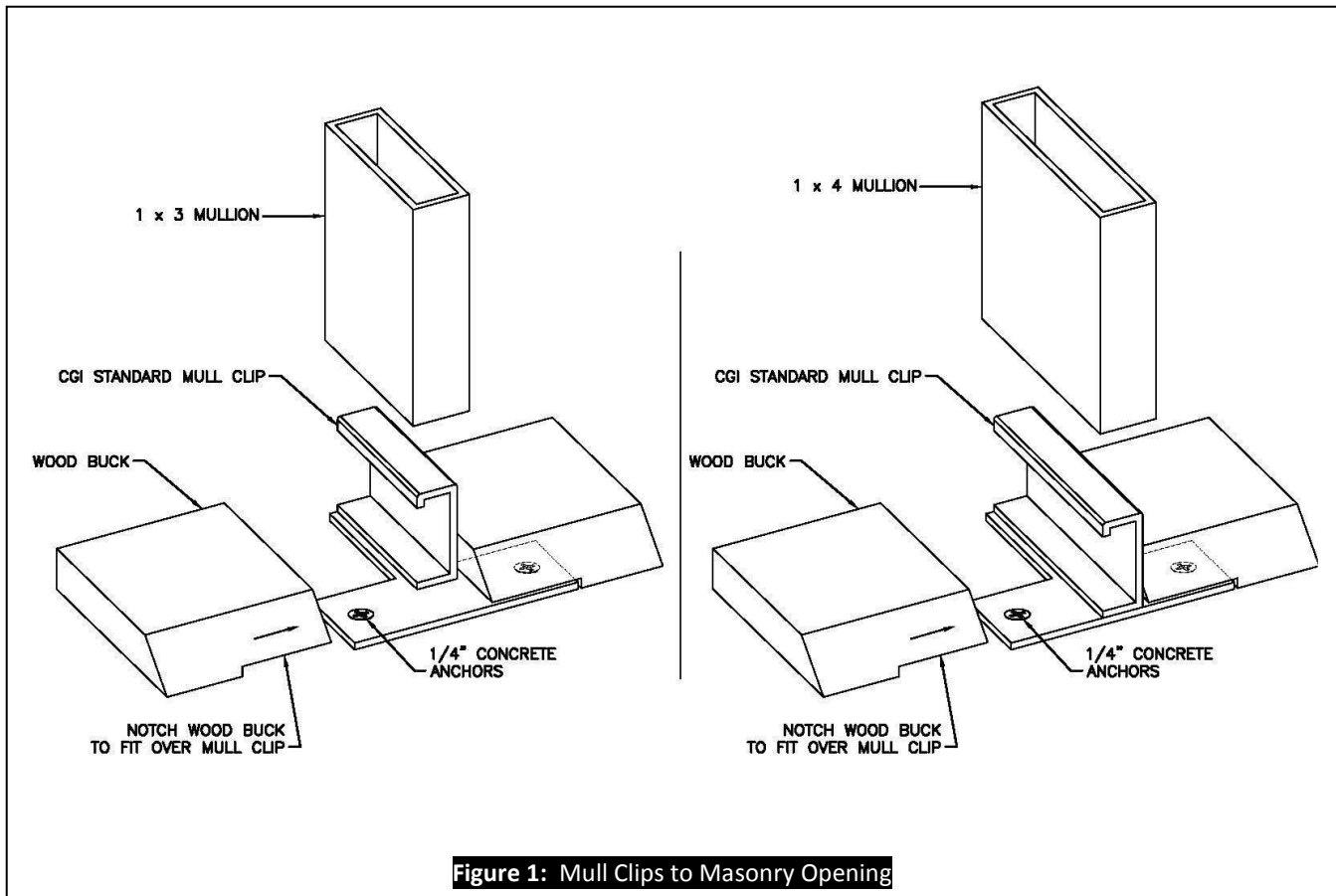
NOTE: Read instructions completely before attempting any installation.

These instructions are provided as a general guide in the installation of CGI windows. Applicable approval documents should be used in conjunction with these instructions. Only experienced installers familiar with these or similar products should attempt to install these units. Incorrect installations could void warranty. Contact CGI technical support at 305.593.6590(Miami) or tf 800.442.9042.

### WOOD BUCK AND MULLION CLIPS INSTALLATION

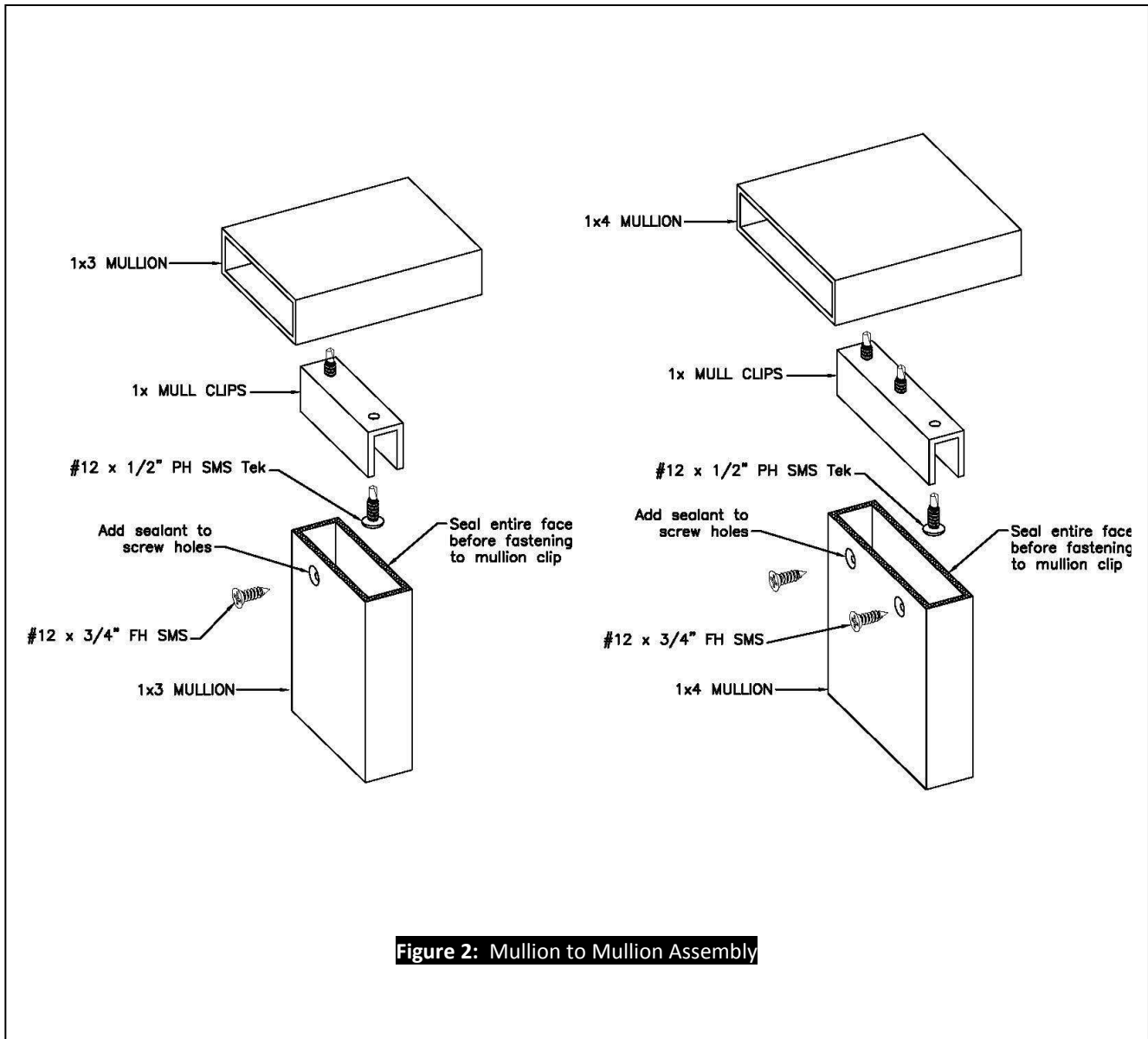
These mullion instructions are to be used in conjunction with the TARGA windows installation instructions. Please follow those instructions for information and details specific to each window.

1. Measure and mark location of mullion tube according to your specific job condition.
2. Install mullion clips and mullion at location with the required anchors according to "Clipped" Aluminum Tube Mullion NOA.
3. If wood bucks are used (for flange frame or nail fin windows), install the wood bucks per instructions in the Targa Series window installation instructions.
4. Notch wood buck as shown in Figure 1. Conditions shown are standard mullion tube sizes; other sizes are similar. Note that CGI standard mull clips have offset screw holes as shown.
5. Seal wood buck and opening according to Targa window installation instructions. Add exterior sealant between openings, wood bucks, mullion clips, and mullion tubes.



## MULLION TO MULLION INSTALLATION

1. If a mull to mull condition is required, add sealant at face and screw holes as shown in Figure 2.
2. Attach mullions with correct mullion clips and anchors according to NOA. Check that joint is entirely sealed; add sealant if necessary.
3. Verify that opening and mullion tubes are square. Do not follow the walls, as many times they tend to be leaning in or out.
4. **Wood bucks, mullion clips and tubes must be secured to the structure, independently of the window.**



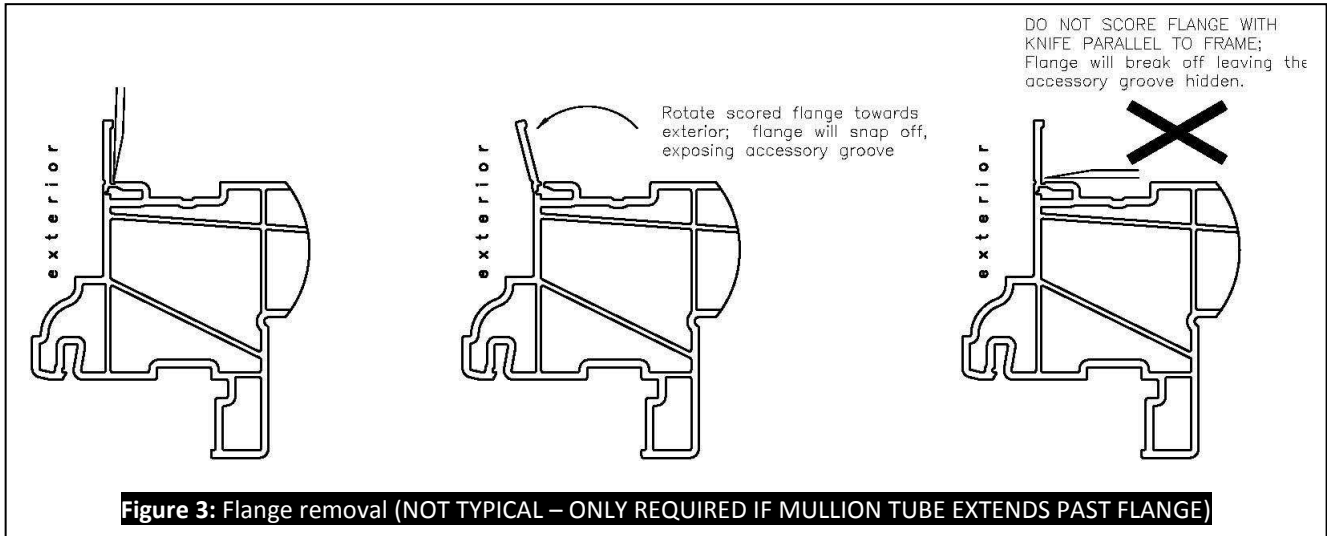
## WINDOW PREPARATION

**Equal leg windows** – no additional preparation required.

**Flange frame window** – no additional preparation required if flange overlays mullion. If mullion tube extends past flange, the flange must be removed in a specific way to expose the accessory groove. **If flange is removed incorrectly, mullion cover will not fit over mullion.**

1. Verify which frame member requires the flange to be removed.

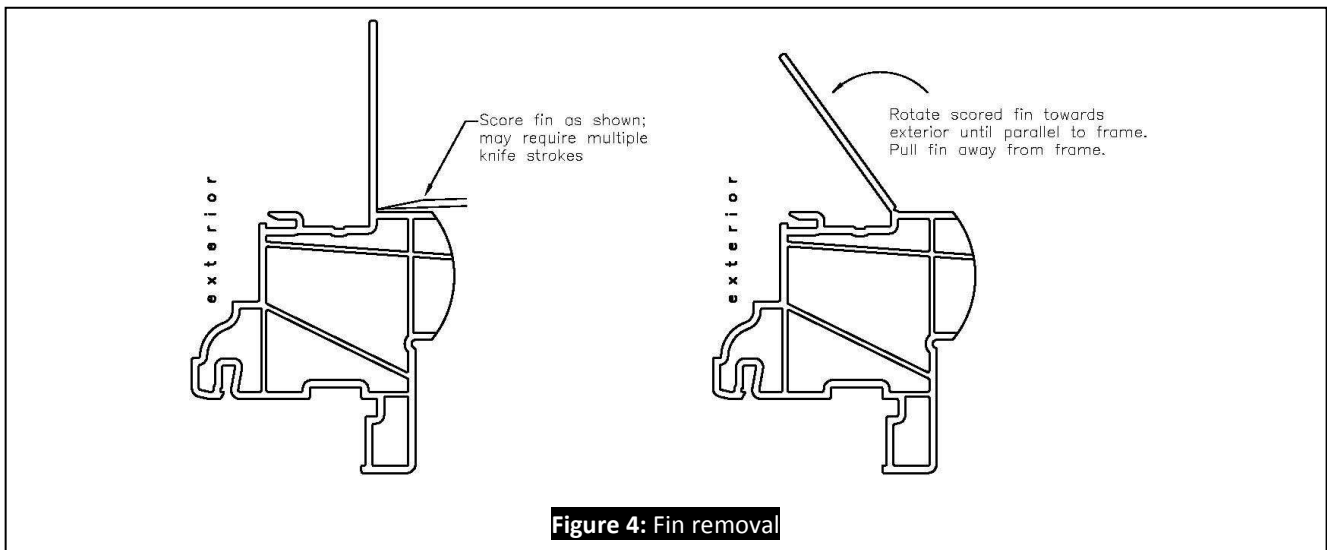
2. Score window frame parallel to flange as shown in Figure 3. **DO NOT SCORE FLANGE PARALLEL TO FRAME.** Flange will break off leaving the accessory groove hidden.
3. Rotate scored flange towards exterior of the window. Flange will snap off, exposing accessory groove.



**Fin frame window** – fin must be removed on frame member that attaches to mullion; holes for installation screws must be drilled into member.

4. Verify which frame member requires the fin to be removed.
5. Score window at fin as shown in Figure 4.

6. Rotate scored fin towards exterior of window until it is parallel to frame.
7. Pull fin away from frame; this motion will rip the fin off the frame extrusion.
8. Drill installation holes according to NOA documents for flange or equal leg windows along frame member.

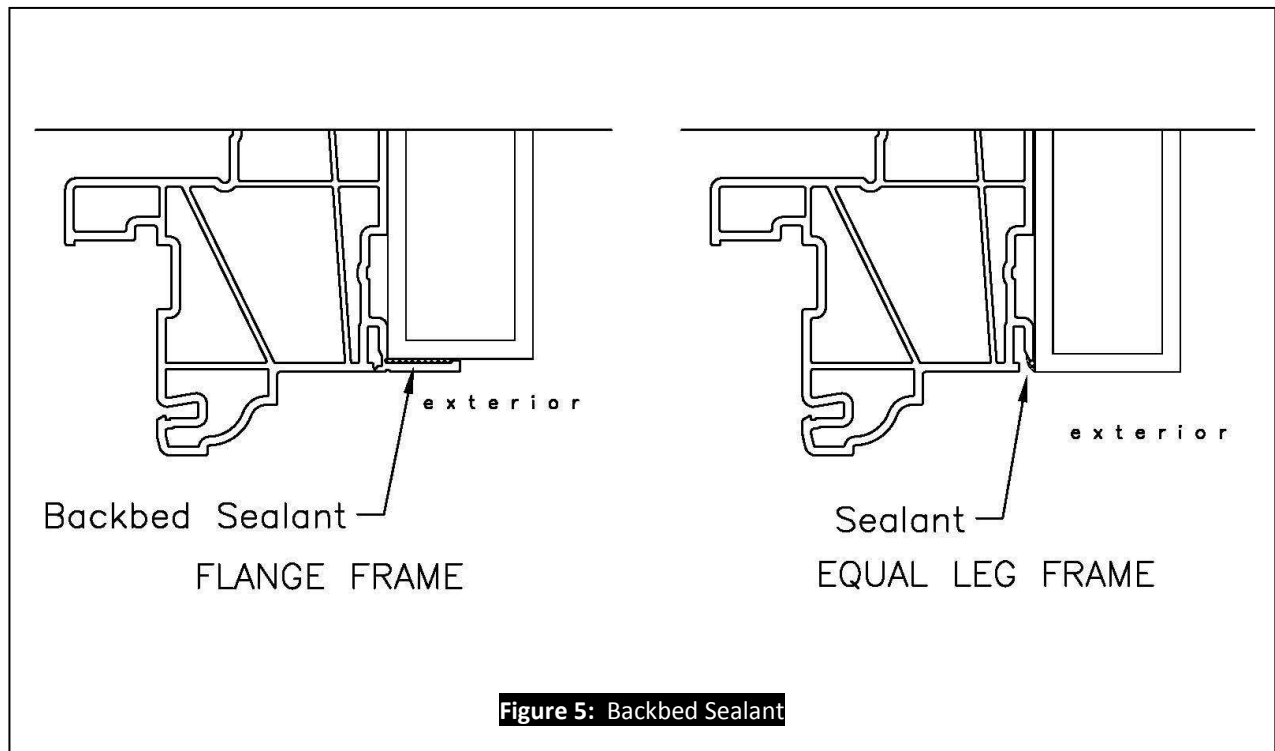


## WINDOW INSTALLATION

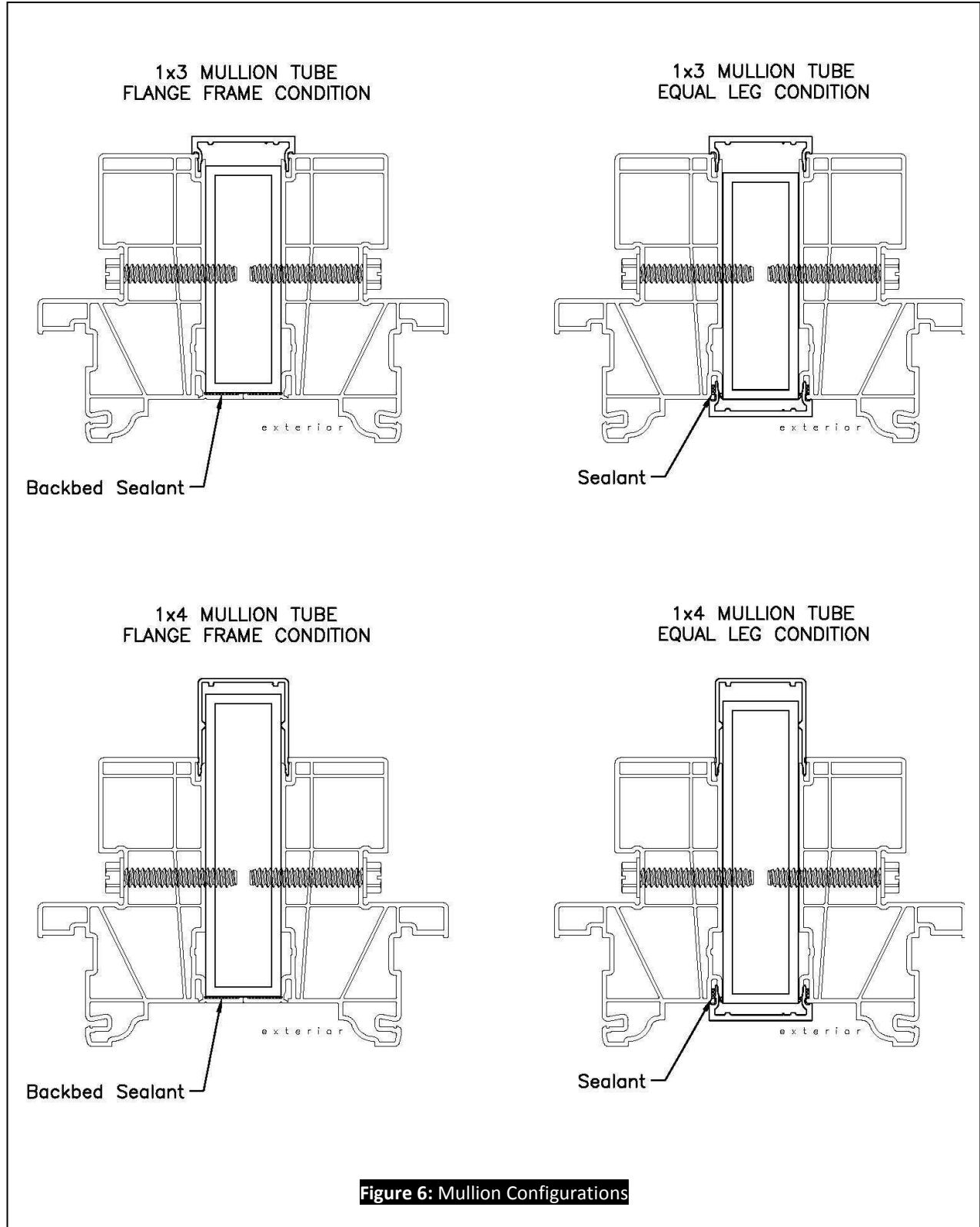
1. Reference specific TARGA windows installation instructions for each window and frame type and install accordingly. (Note: if drip cap will be used on fin window, see Drip Cap Installation before proceeding).
2. For flange windows, add backbed sealant along flange *before* installing into mullion as shown in Figure 5.
3. Use recommended mullion installation screws for each specific product and frame member as shown in Table 1.
4. For equal leg windows, seal along mullion and frame edge *after* installing into mullion as shown in Figure 5.
5. Install appropriate cover on interior or exterior accessory grooves. See figure 6 for typical mullion configurations.

Typical Recommended Screws			
	Head	Sill	Jambs
7100 SH	1/4" x 1-1/2" Hex SMS "B"		1/4" x 1/2" Hex SMS "B"
7200 HR	1/4" x 3/4" Hex SMS "B" Point	1/4" x 1-1/2" Hex SMS "B"	
	1/4" x 3/4" FH SMS "B" (w/ bushing)		
7300 CA	1/4" x 2" Hex SMS		1/4" x 1-1/4" Hex SMS "B"
7400 PO	1/4" x 1-1/4" Hex SMS "B"		1/4" x 2" Hex SMS
7500 FW	1/4" x 1-1/2" Hex SMS "B"		

6. Add sealant in exterior accessory groove when installing exterior cover. Installation of exterior covers should immediately follow perimeter sealing; dried sealant may interfere with installation at a later time.
7. Seal along entire mullion and window system.



**MULLION CONFIGURATIONS**



**Figure 6: Mullion Configurations**

## DRIP CAP INSTALLATION

A drip cap is an optional accessory that helps keep water out of the mullion system when fin frames are used. **Install drip cap before application of Self Adhering Flashing.**

1. Cut down drip cap to desired length. (Drip caps are ordered at stock length.)
2. Add a bead of sealant along inside leg drip cap as shown in Figure 7.
3. Center drip cap over mullion at head and place along window head.
4. Add screws or nails at ends of drip cap. If longer drip cap is desired (that expands across window), add screws near center of cap into opening.
5. Add sealant to cavity of frame at ends of drip cap as shown in Figure 7.
6. Apply self adhering flashing as outlined in Targa windows installation instructions.

